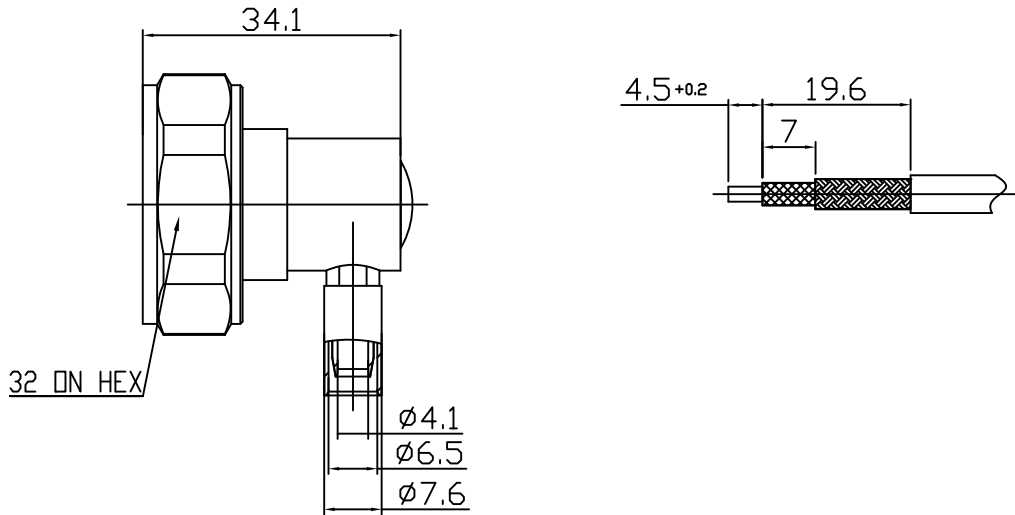


NOTICE OF PROPRIETARY RIGHTS THIS DOCUMENT CONTAINS CONFIDENTIAL TECHNICAL DATA, INCLUDING TRADE SECRETS, PROPRIETARY TO TIMES MICROWAVE SYSTEMS. DISCLOSURE OF THIS DATA IS EXPRESSLY CONDITIONED UPON YOUR ASSENT THAT ITS USE IS LIMITED TO USE WITHIN YOUR COMPANY ONLY. ANY OTHER USE IS STRICTLY PROHIBITED WITHOUT THE PRIOR WRITTEN CONSENT OF TIMES MICROWAVE SYSTEMS.

SYM	REVISION DESCRIPTION	DFTM	DATE	APPD	DATE
A	RELEASED FOR PRODUCTION	K.A.M.	9/2/10	J.D.B.	9/8/10



Reference standard	IEC60169-16
I、 Electric Performance	
Impedance(Ω):	50
Frequency Range:	DC-3GHz
VSWR:	≤1.15
Insert Loss: (dB)	≤ 0.05
Insulation resistance (MΩ)	>10000
Withstand voltage (V)	1500
Conductor resistance (mΩ)	outer conductor <0.2 inner conductor <0.8
II、 Mechanical Performance	
Mechanical wear(hypo-)	500
Nut torque	25N.m
Tensile force(cable-connect)	100N
Torsion(cable-connect)	0.2N.m

III、 Material and plating :	
inner conductor: Spring copper	plating Ag5um
outer conductor : Brass	plating copper
tin-zinc2um	
nut	Brass
insulator:	PTFE
IV、 Environment	
Temp.range	-55℃~+155℃
Weather standard	IEC 60068 55 / 155/
56	
Thermal shock	US MIL-STD
202,Meth.107,Cond.B	
Vibration	US MIL-STD
202,Meth.204,Cond.B	
Shock	US MIL-STD
202,Meth.213,Cond.I	
ROHS compliant	

V、 Assembly: inner conductor installed and outer conductor crimped

MATERIAL:	UNLESS OTHERWISE SPECIFIED		DFTM. K. A. M.	TIMES MICROWAVE SYSTEMS		
	ALL DIMENSIONS ARE IN MM		DATE 9/2/10			
USED ON:	DO NOT SCALE DRAWING		CHKD. J. D. B.	TC-240-716MH-RA 90° 7/16 MALE FOR LMR240		
			DATE 9/8/10			
			APPD. J. D. B.			
SCALE: ~	DWG. SIZE A	CODE IDENT 68999	DATE 9/8/10	SHT 1 of 1	SD3190-2589	REV A