

LTR	DESCRIPTION	DATE	BY
-	Released	3/12/04	JCL

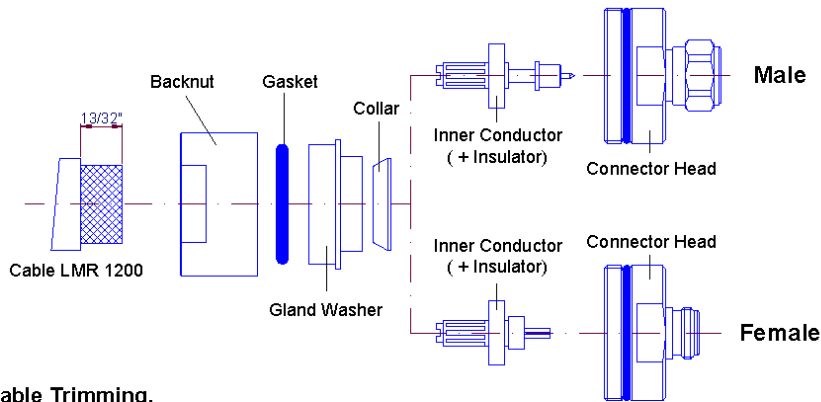


P.O Box 5039  
 Wallingford, CT 06492-5039 USA  
 Tel. (203) 949-8400  
 Fax. (203) 949-8423

**Connector N(female) for cable LMR1200-LLPL  
 PN 3190-912 (EZ-1200-NFC-PL)**

OF -----

**Made in Brazil**



1. **Cable Trimming.**
  - 1.1. Slide backnut and gasket onto cable.
  - 1.2. Trim and remove 13/32" of the cable jacket.
  - 1.3. Slide the gland washer over the cable braids .
  - 1.4. Deburr inner conductor of the cable.
  
2. **Connector assembly.**
  - 2.1. Open the braid and slide the collar over the foil.
  - 2.2. Slide connector inner conductor into cable inner conductor .
  - 2.3. Push connector head carefully onto cable and screw it rigidly to backnut.

Unless otherwise specified, dimensions are in inches. Tolerances are applicable when specified.

These drawings and specifications contain proprietary information which is the property of Times Microwave Systems.

Approvals		
Drawn	JCL	3/12/04

**TIMES MICROWAVE SYSTEMS**  
 Wallingford, CT 06492  
 (203) 949-8400; (203) 949-8423.Fax  
 www.timesmicrowave.com

<b>EZ-1200-NFC-PL</b>		
<b>Installation Instructions</b>		
Size A	CAGE CODE <b>68999</b>	Drawing No.: <b>IN-912</b>
Scale: NA	Rev. (-)	Sheet: 1 of 1