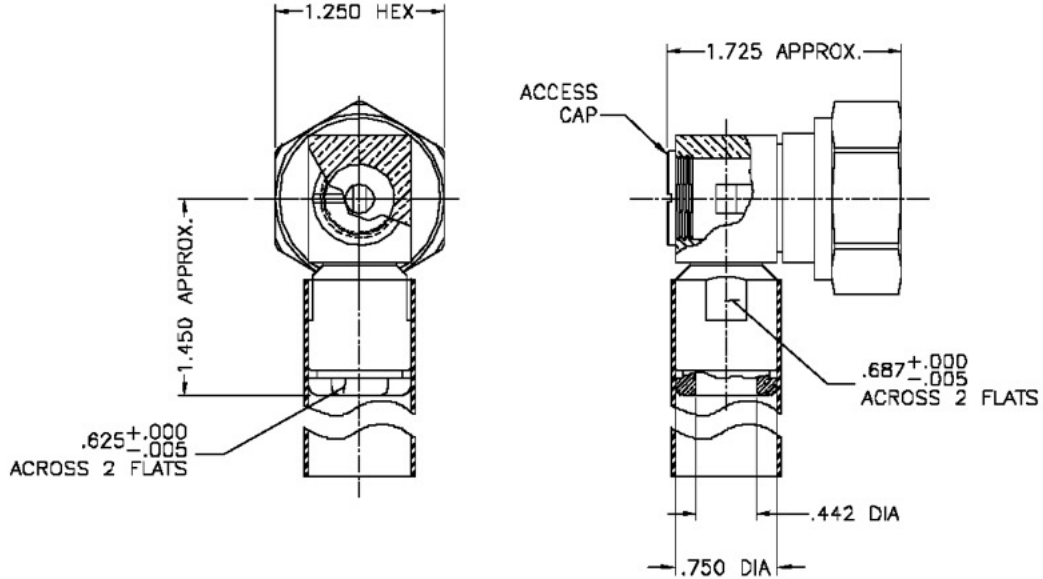


LTR	DESCRIPTION	DATE	BY
-	Released	3/12/04	JCL
A	RoHS Compliant	1/1/06	JCL



I. MATERIALS & FINISHES

center contact: Silver Plated Brass
 outer contact: Alballoy Plated Brass
 body: Alballoy Plated Brass
 other metal parts: Alballoy Plated Brass
 gasket: Silicone Rubber
 dielectric: Teflon® PTFE
 shrink sleeve: Adhesive Lined Polyolefin
 attachment: braid clamp

II. ELECTRICAL PROPERTIES

impedance: 50 ohms
 working voltage: 2700 vrms (max)
 vswr: 1.25:1 (max) up to 3 GHz
 insertion loss: 0.15 x √Fghz

Unless otherwise specified, dimensions are in inches. Tolerances are applicable when specified.

These drawings and specifications contain proprietary information which is the property of Times Microwave Systems.

Approvals		
Drawn	JCL	3/12/04



TIMES MICROWAVE SYSTEMS

Wallingford, CT 06492
 (203) 949-8400; (203) 949-8423.Fax
 www.timesmicrowave.com

TC-400-716MC-RA

Clamp Type-716 male Right Angle (RoHS Compliant)
 for LMR-400 Cable

Size A	CAGE CODE 68999	Drawing No.: 3190-1671
--------	---------------------------	----------------------------------

Scale: NA	Rev. (A)	Sheet: 1 of 1
-----------	----------	---------------