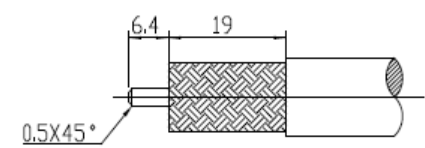
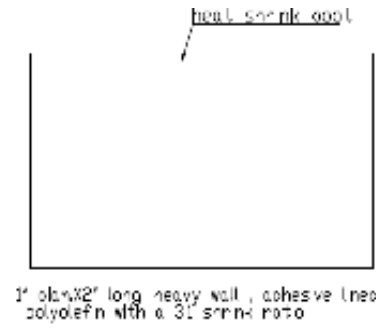
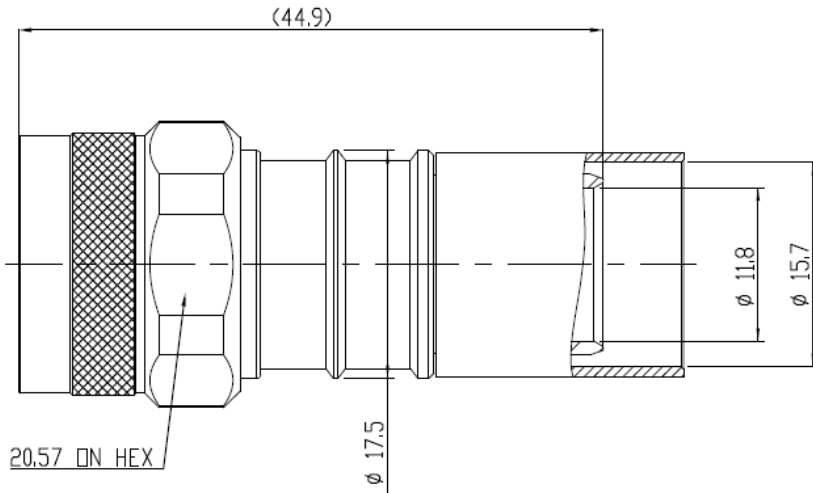


NOTICE OF PROPRIETARY RIGHTS THIS DOCUMENT CONTAINS CONFIDENTIAL TECHNICAL DATA, INCLUDING TRADE SECRETS, PROPRIETARY TO TIMES MICROWAVE SYSTEMS. DISCLOSURE OF THIS DATA IS EXPRESSLY CONDITIONED UPON YOUR ASSENT THAT ITS USE IS LIMITED TO USE WITHIN YOUR COMPANY ONLY. ANY OTHER USE IS STRICTLY PROHIBITED WITHOUT THE PRIOR WRITTEN CONSENT OF TIMES MICROWAVE SYSTEMS.

SYM	REVISION DESCRIPTION	DFTM	DATE	APPD	DATE
A	RELEASED FOR PRODUCTION	D. J. H.	8/9/11	J. D. B.	8/16/11
B	CHANGED PER CDC #36735	N. N. N.	4/8/13	J. D. B.	4/10/13
C	CHANGED PER CDC #40601	N. N. N.	8/26/14	J. D. B.	9/10/14



Reference standard: IEC60169 16

I. Electric Performance

Nominal impedance (Ω): 50
 Frequency range: DC-50GHz
 VSWR: 1.25
 Insertion loss: ≤ 0.1 (DC-30GHz)
 Insulation resistance (MΩ): 25000
 Proof voltage (V): 2500
 Conductor resistance (mΩ): outer conductor 0.4, inner conductor 0.8

IV. Environmental

Temperature: -55°C ~ 155°C
 Storage: MIL-STD-883C Method B
 Vibration: MIL-STD-202 Method B
 Shock: MIL-STD-202 Method B
 Waterproofing standard: IP67

II. Mechanical Performance

Burst force: 5N
 Pull force: 500N
 Tensile force (cable connect): 5000N
 Torsion (cable connect): 3Nm

V. Assembly: inner conductor installed and outer conductor crimped

VI. RoHS Compliant.

III. Material and plating

Component: Material
 Inner conductor: Beryllium Bronze
 Outer conductor: Brass
 Tube: copper
 Nut: Brass
 Gasket: Silicone rubber
 Insulator: PTFE

Plating
 Au50 micro inches over nickel 100 over copper
 Copper tin zinc 100-150 micro inches
 Copper tin zinc 100-150 micro inches
 Copper-tin-zinc 100-150 micro inches

MATERIAL:	UNLESS OTHERWISE SPECIFIED		DFTM: D. J. H.	TIMES MICROWAVE SYSTEMS	
	ALL DIMENSIONS ARE IN mm MACHINED SURFACES FINISH N/A RMS MAX. REMOVE ALL BURRS N/A MAX. BREAK MACHINE CORNERS N/A MAX. FILLET R. TOLERANCES ON DECIMALS .XX ± N/A .XXX ± N/A ANGLES ± 1° FRACTIONS ± N/A		DATE: 8/9/11		
USED ON: 1-1	DO NOT SCALE DRAWING		CHKD: J. D. B.	EZ-600-NMH-X "N" MALE FOR LMR-600 CABLE EZ/CRIMP/NO BRAID TRIM	
			DATE: 8/16/11		
SCALE: N/A	DWG. SIZE: A	CODE IDENT: 68999	APPD: J. D. B.	DATE: 8/16/11	SHEET: 1 of 1
				DATE: 8/16/11	REV: C