

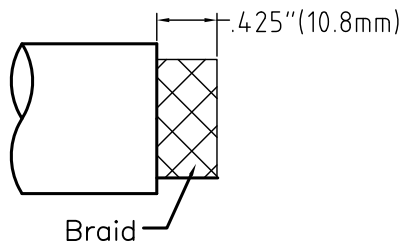
TIMES

MICROWAVE SYSTEMS INSTALLATION INSTRUCTIONS

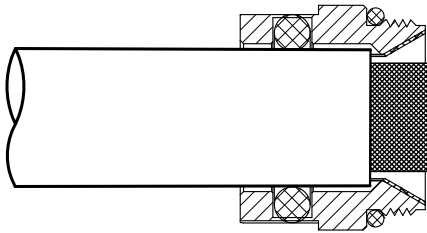
EZ-1200-78EIA-RA-2

3190-2782

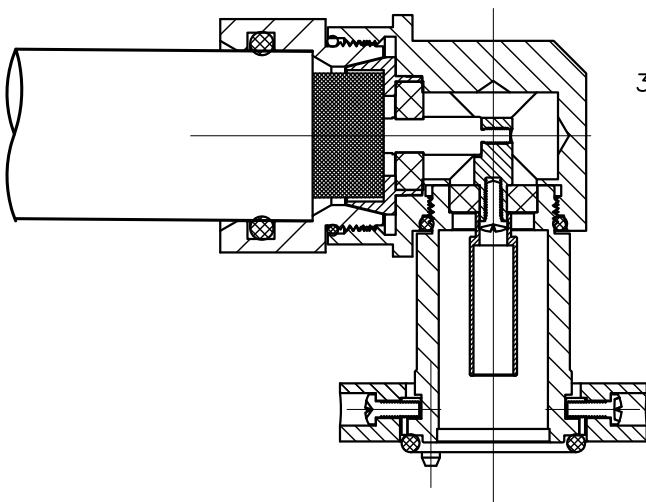
358 Hall Avenue/P.O. Box 5039
Wallingford, CT 06492-5039
Tel:203-949-8400
FAX:203-949-8423
1-800-TMS-COAX
www.timesmicrowave.com



1. Cut the cable squarely and cleanly using the CCT-01 cutting tool. Use the ST-1200C-CH prep tool to remove the required length of jacket material



2. A. Wipe the O ring inside the back nut with the lubricant supplied with the connector
B. Place the connector squarely onto the cable and push while rotating the connector until the connector bottoms out on the jacket.
C. Run a finger around the outer edge of the dielectric to fan the braid wires away from the core



3. A. Snap the spring finger contact of the forward end of the connector into the center conductor of the cable
B. Using two 1 9/16" wrenches, hold the forward end firm while tightening the back nut to a value of 45N.m