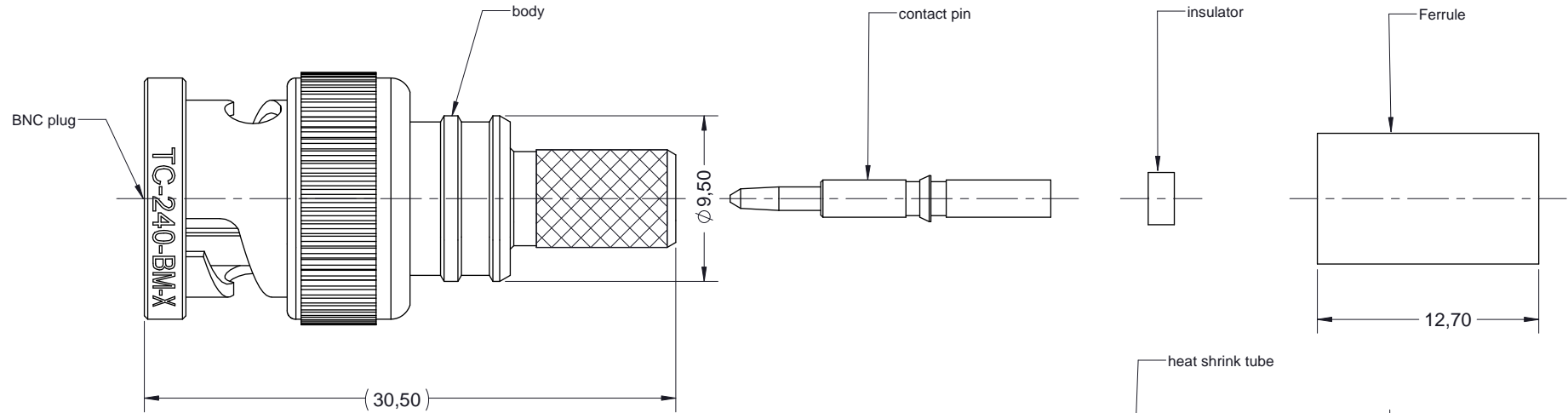


NOTICE OF PROPRIETARY RIGHTS. THIS DOCUMENT CONTAINS CONFIDENTIAL DATA, INCLUDING TRADE SECRETS, PROPRIETARY TO TIMES MICROWAVE SYSTEMS. DISCLOSURE OF THIS DATA IS EXPRESSLY CONDITIONED UPON YOUR ASSENT THAT ITS USE IS LIMITED TO USE WITHIN YOUR COMPANY ONLY. ANY OTHER USE IS STRICTLY PROHIBITED WITHOUT THE PRIOR WRITTEN CONSENT OF TIMES MICROWAVE SYSTEMS.

VER	Description	ECN	Name	Date
A	Release for production	N/A	Joslen	2017/3/22



I. MATERIALS & FINISHES

Components	Materials	Finishes	Thk. (μ")
Body	Brass	Albaloy	100
Center Cont.	Brass	Gold	50
Ferrule	Brass	Albaloy	100
Coupling Nut	Brass	Albaloy	100
Insulator	PTFE	N/A	N/A
Gasket	Silicone	Red	N/A

II. ELECTRICAL PROPERTIES

Impedance (Ω):	50
Frequency Range (GHz):	DC to 4 GHz
Working Voltage (V):	≥1000
Insulation Resistance (MΩ):	≥10000
VSWR:	≤1.30
Insertion Loss (dB, f/GHz):	-0.1x √f

III. ENVIRONMENT PROPERTIES

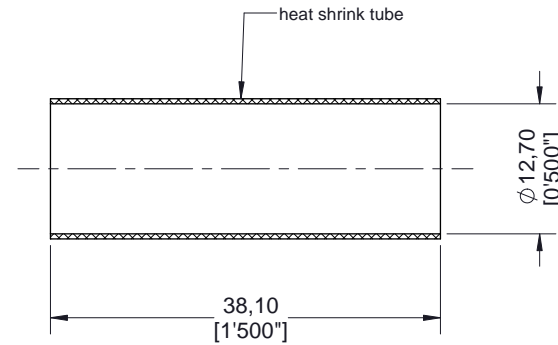
Temperature Range:	-40°c - +125°c
Thermal Shock:	MIL-STD 202G, Meth.107, Cond.B
Vibration:	MIL-STD 202G, Meth.204, Cond.B
Shock:	MIL-STD 202G, Meth.213, Cond I
Climatic Class:	IEC 60068 55/155/56
(2002/95/EC)RoHS:	Compliant

IV. MECHANICAL PROPERTIES


Center Conductor:	Solder
Outer Conductor.:	Crimp
Coupling Nut Torque (N.m):	Bayonet Lock
Cable-Connector Retention Force (N):	500
Durability (cycles):	500

V. TOOLING

Stripping Tool:	3192-152
Crimping Tool:	3190-667/CT-240/200/100



Standard: IEC-60169-8

UNLESS OTHERWISE SPECIFIED		DFTM	Joslen	 TC-240-BM-X BNC Male (plug) Solder Pin Connector No Braid Trim for LMR-240 Cable
ALL DIMENSIONS ARE IN mm MACHINED SURFACES FINISH 1.6 RMS MAX. REMOVE ALL BURRS 0.15X45° MAX. BREAK MACHINE CORNERS 0.15X45° D MAX. FILLET R. TOLERANCES ON DECIMALS .X ±0.3 .XX ±0.15 ANGLES ±2° FRACTIONS ± N/A		DATE	2017/3/22	
		CHKD	Joslen	
		DATE	2017/3/22	
APPD	Tony	DATE	2017/3/22	
Scale: 4:1	Size: A3	CODE IDENT	68999	SHT 1/1 3190-6380 REV A