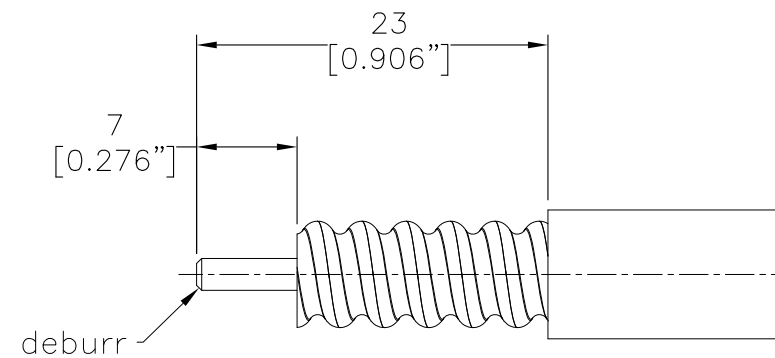
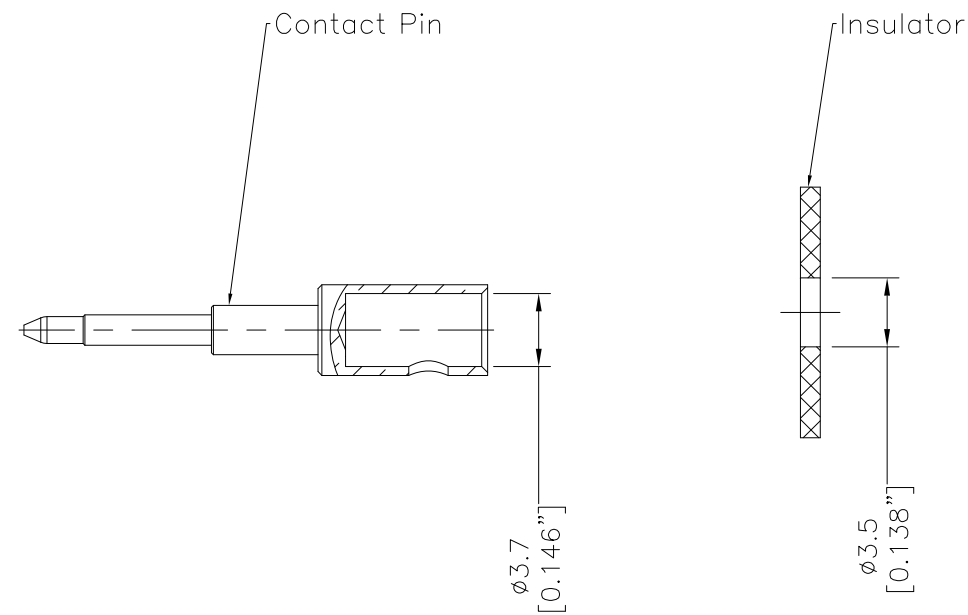
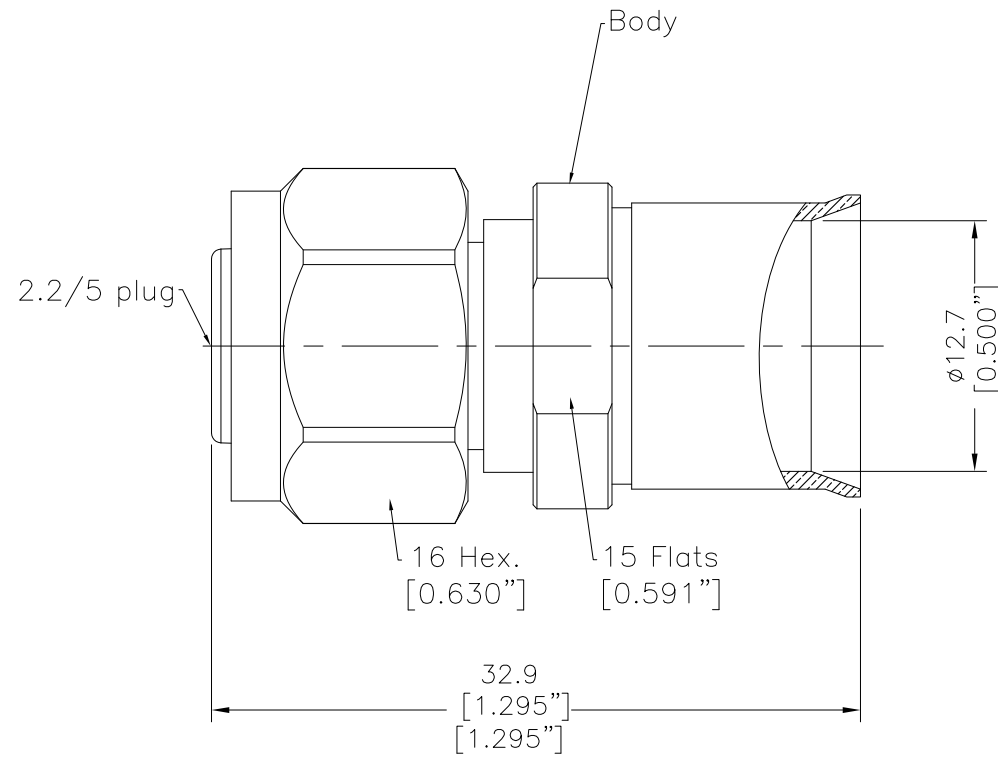


| SYM | REVISION DESCRIPTION | DFTM | DATE | APPD | DATE |
|-----|-------------------------|--------|------------|--------|------------|
| A | RELEASED FOR PRODUCTION | Monica | 2020/01/19 | Tony.Z | 2020/01/19 |



I. MATERIALS & FINISHES

| Components | Materials | Finishes | Thk. (μ") |
|---------------|------------------|----------|-----------|
| Body | Brass | Albaloy | 100 |
| Contact Pin | Brass | Silver | 100 |
| Insulator | PTFE | -- | -- |
| Outer Contact | Beryllium Copper | Silver | 100 |
| Coupling Nut | Brass | Albaloy | 100 |
| Gasket | Silicone Rubber | -- | -- |

II. ELECTRICAL PROPERTIES

| | |
|----------------------------------|-----------------|
| Impedance: | 50 Ω |
| Frequency Range: | DC to 6 GHz |
| Dielectric Withstanding Voltage: | 1500 V rms |
| Insulation Resistance: | ≥5000 MΩ |
| VSWR: DC to 6 GHz | ≤1.30 |
| Insertion Loss: | -0.1x√f(GHz) dB |
| PIM (2x43dBm): | -160dBc |

All Material and Plating of Parts Meet TIMES Documents: WI-RD-003

III. ENVIRONMENTAL PROPERTIES

| | |
|--------------------|--------------------------------|
| Temperature Range: | -40°C to +125°C |
| Thermal Shock: | MIL-STD-202, Meth.107, Cond. B |
| Vibration: | MIL-STD-202, Meth.204, Cond. D |
| Shock: | MIL-STD-202, Meth.213, Cond. I |
| Climatic Class: | IEC 60068 55/155/21 |
| RoHS: | Compliant |

IV. MECHANICAL PROPERTIES


| | |
|--------------------------------|------------|
| Center Contact: | Solder |
| Outer Contact: | Solder |
| Coupling Nut Torque: | 1.7 N.m |
| Cbl-Connector Retention Force: | 400N |
| Durability: | 500 Cycles |

V. TOOLINGS & ACCESSORIES

Heat Shrink Tube: 3/4"x2" (3:1) 1 pcs

RECOMMENDED CABLE STRIPPING DIM'S
Connector Adds: 20.2 mm

Interface Compatible with Standard:
IEC61169-66

| UNLESS OTHERWISE SPECIFIED | | DFTM. | Monica |  TC-500-225M-LP 2.2-5 Male (Plug) Straight Direct Solder Pin Connector for SPP-500-LLPL/SPO-500 Cable | | | | | | | |
|-------------------------------------------------------------------------------------------------------------------------------------------------------------------------------------------------------------------------------------|-----|----------|------------|---------------------------------------------------------------------------------------------------------------------------------------------------------------------------------------------------------------|------|------------|-----|-----|------------------|-----|---|
| ALL DIMENSIONS ARE IN mm MACHINED SURFACES FINISH 1.6 RMS MAX. REMOVE ALL BURRS 0.15X45° MAX. BREAK MACHINE CORNERS 0.15X45° D MAX. FILLET R. TOLERANCES ON DECIMALS .X ±0.15 .XX ±0.1 ANGLES ±2° FRACTIONS ± N/A | | DATE | 2020/01/19 | | | | | | | | |
| | | CHKD | Patrick | | | | | | | | |
| | | DATE | 2020/01/19 | | | | | | | | |
| | | APPD | Tony.Z | | | | | | | | |
| SCALE: | N/A | DWG SIZE | A3 | DO NOT SCALE DRAWING | DATE | 2020/01/19 | SHT | 1/1 | 3190-6703 | REV | A |