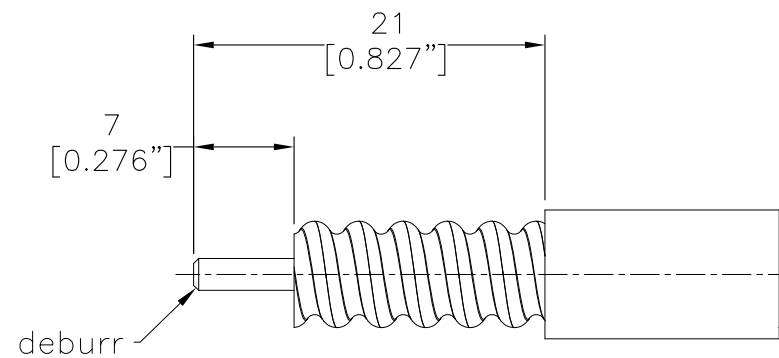
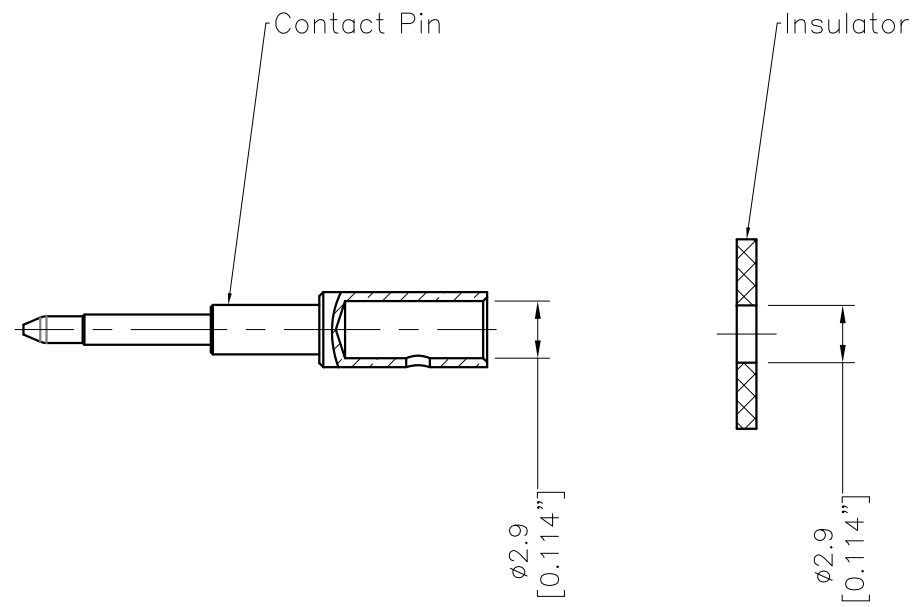
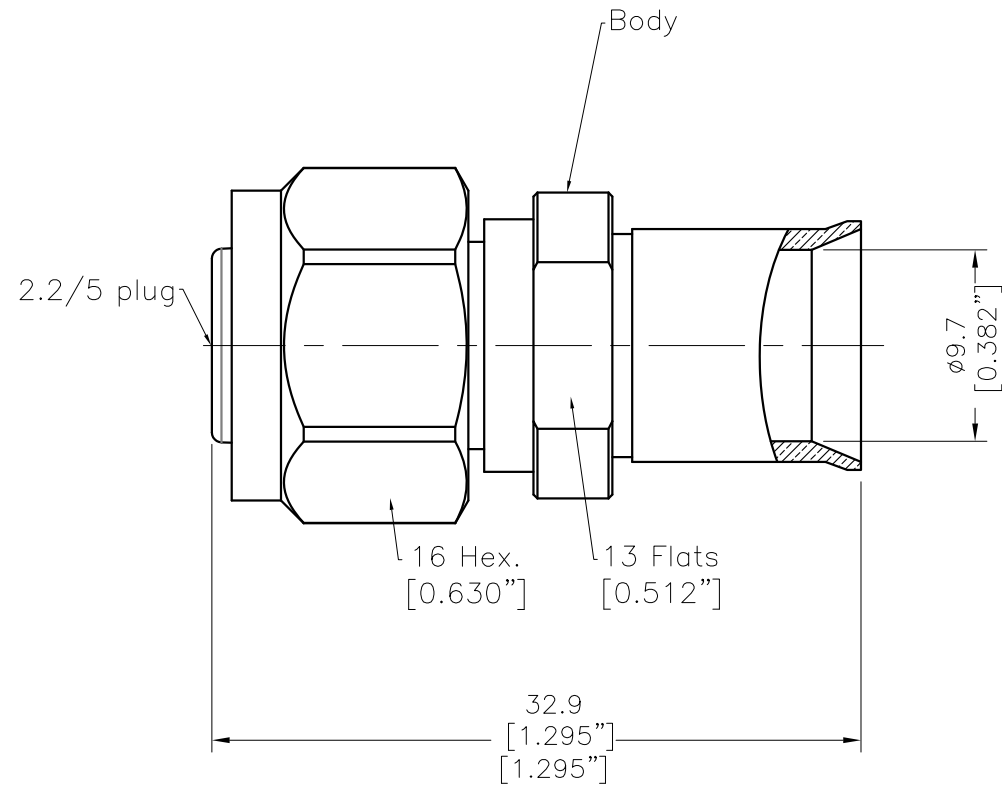


SYM	REVISION DESCRIPTION	DFTM	DATE	APPD	DATE
A	RELEASED FOR PRODUCTION	Monica	2020/01/19	Tony.Z	2020/01/19



I. MATERIALS & FINISHES

Components	Materials	Finishes	Thk. (μ")
Body	Brass	Albaloy	100
Contact Pin	Brass	Silver	100
Insulator	PTFE	--	--
Outer Contact	Beryllium Copper	Silver	100
Coupling Nut	Brass	Albaloy	100
Gasket	Silicone Rubber	--	--

II. ELECTRICAL PROPERTIES

Impedance:	50 Ω
Frequency Range:	DC to 6 GHz
Dielectric Withstanding Voltage:	1500 V rms
Insulation Resistance:	≥5000 MΩ
VSWR: DC to 6 GHz	≤1.30
Insertion Loss:	-0.1x√f(GHz) dB
PIM (2x43dBm):	-160dBc

All Material and Plating of Parts Meet TIMES Documents: WI-RD-003

III. ENVIRONMENTAL PROPERTIES

Temperature Range:	-40°C to +125°C
Thermal Shock:	MIL-STD-202, Meth.107, Cond. B
Vibration:	MIL-STD-202, Meth.204, Cond. D
Shock:	MIL-STD-202, Meth.213, Cond. I
Climatic Class:	IEC 60068 55/155/21
RoHS:	Compliant

IV. MECHANICAL PROPERTIES


Center Contact:	Solder
Outer Contact:	Solder
Coupling Nut Torque:	1.7 N.m
Cbl-Connector Retention Force:	200N
Durability:	500 Cycles

V. TOOLINGS & ACCESSORIES

Heat Shrink Tube: 3/4"x2" (3:1) 1 pcs

RECOMMENDED CABLE STRIPPING DIM'S
Connector Adds: 20.2 mm

Interface Compatible with Standard:
IEC61169-66

UNLESS OTHERWISE SPECIFIED		DFTM.	Monica	 TC-375-225M-LP 2.2-5 Male (Plug) Straight Direct Solder Pin Connector for SPP-375-LLPL/SPO-375 Cable							
ALL DIMENSIONS ARE IN mm MACHINED SURFACES FINISH 1.6 RMS MAX. REMOVE ALL BURRS 0.15X45° MAX. BREAK MACHINE CORNERS 0.15X45° D MAX. FILLET R. TOLERANCES ON DECIMALS .X ±0.15 .XX ±0.1 ANGLES ±2° FRACTIONS ± N/A		DATE	2020/01/19								
		CHKD	Patrick								
		DATE	2020/01/19								
		APPD	Tony.Z								
SCALE:	N/A	DWG SIZE	A3	DO NOT SCALE DRAWING	DATE	2020/01/19	SHT	1/1	3190-6705	REV	A