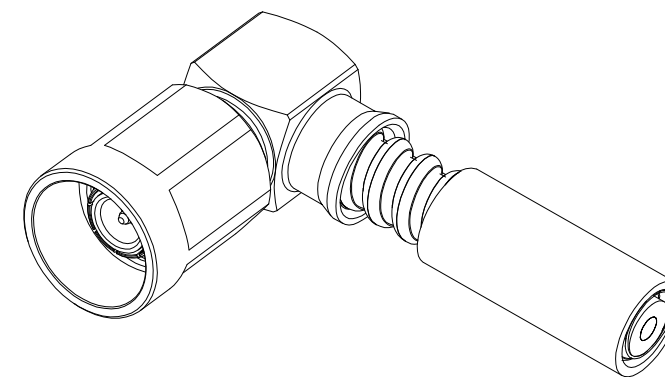
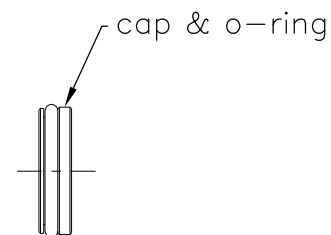
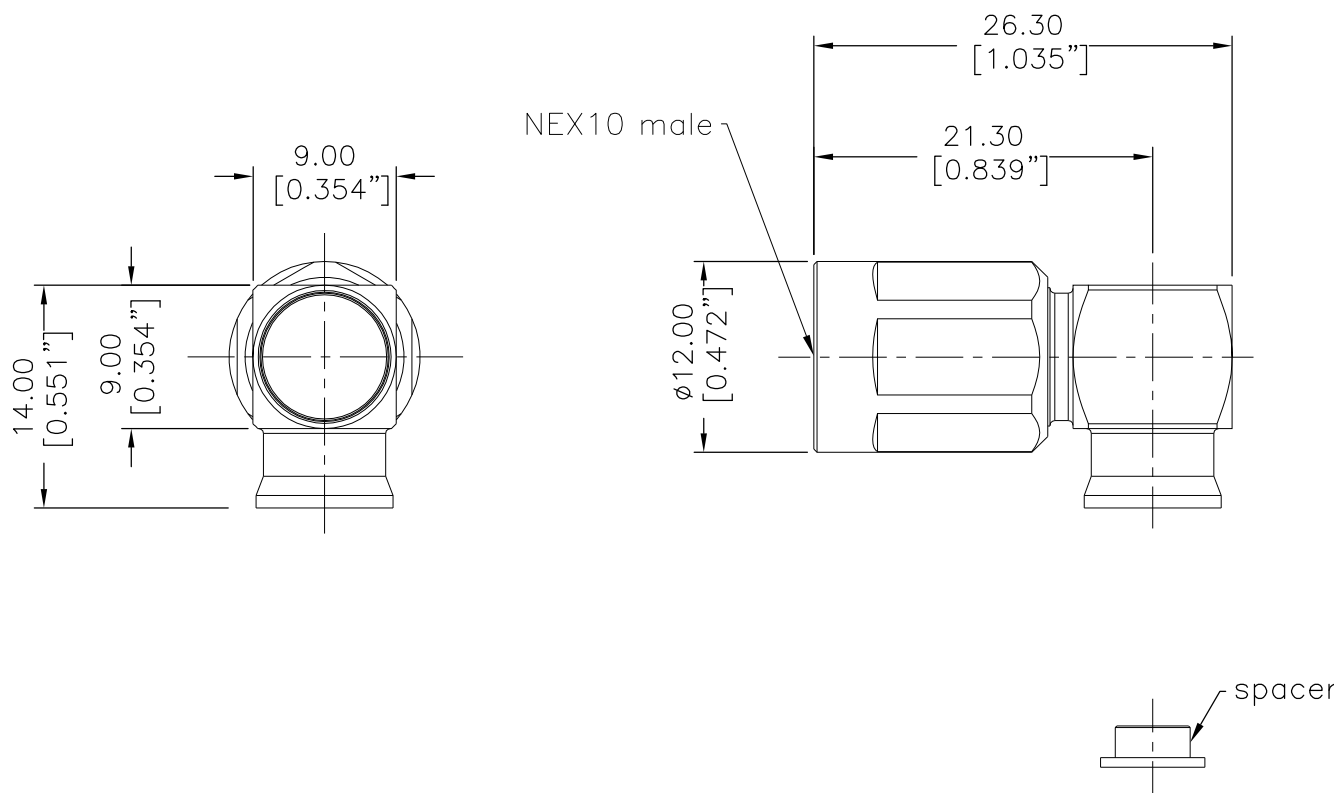


NOTICE OF PROPRIETARY RIGHTS THIS DOCUMENT CONTAINS CONFIDENTIAL DATA, INCLUDING TRADE SECRETS, PROPRIETARY TO TIMES MICROWAVE SYSTEMS. DISCLOSURE OF THIS DATA IS EXPRESSLY CONDITIONED UPON YOUR ASSENT THAT ITS USE IS LIMITED TO USE WITHIN YOUR COMPANY ONLY. ANY OTHER USE IS STRICTLY PROHIBITED WITHOUT THE PRIOR WRITTEN CONSENT OF TIMES MICROWAVE SYSTEMS.

SYM	REVISION DESCRIPTION	DFTM	DATE	APPD	DATE
A	RELEASED FOR PRODUCTION	Joslen	2019/09/19	Monica	2019/09/19



I. MATERIALS & FINISHES

Components	Materials	Finishes	Thk. (μ")
Body	Brass	Albaloy	100
Coupling Nut	Brass	Albaloy	100
Outer Contact	Beryllium Copper	Silver	200
Contact Pin	Phosphor Bronze	Silver	200
Insulator	PTFE	--	--

II. ELECTRICAL PROPERTIES

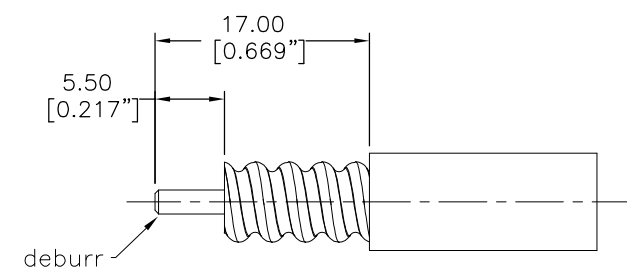
Impedance:	50 Ω
Frequency Range:	DC to 6 GHz
Dielectric Withstanding Voltage:	1500 V rms
Insulation Resistance:	≥10000 MΩ
VSWR:	≤1.35
Insertion Loss:	-0.1x√f(GHz) dB
PIM(dBc, 2x-43dBm):	≤160

III. ENVIRONMENTAL PROPERTIES

Temperature Range:	-40°C to +125°C
Thermal Shock:	MIL-STD-202, Meth.107, Cond. B
Vibration:	MIL-STD-202, Meth.204, Cond. D
Shock:	MIL-STD-202, Meth.213, Cond. I
Climatic Class:	IEC 60068 55/125/21
RoHS:	Compliant

IV. MECHANICAL PROPERTIES

Center Contact:	Solder
Outer Contact:	Solder
Coupling Nut Torque:	1.5 N. m
Cbl-Connector Retention Force:	500 lbs
Durability:	500 Cycles



RECOMMENDED CABLE STRIPPING DIM'S
Connector Adds: 0.0 mm[0.000"]

Interface Compatible with Standard:
TIMES: WI-RD-011

V. TOOLINGS & ACCESSORIES

Heat Shrink Tube: 12.7mmx55mm [0.5"x2.17"] 1pcs

UNLESS OTHERWISE SPECIFIED		DFTM.	Joslen	 TC-250-NX10M-RA-LP NEX10 Male (Plug) Right Angle Solder Pin Connector for SPP-250-LLPL/ SPO-250/TFT-401 Cable
ALL DIMENSIONS ARE IN mm MACHINED SURFACES FINISH 1.6 RMS MAX. REMOVE ALL BURRS 0.15X45° MAX. BREAK MACHINE CORNERS 0.15X45° D MAX. FILLET R. TOLERANCES ON DECIMALS .X ±0.15 .XX ±0.1 ANGLES ±2° FRACTIONS ± N/A		DATE	2019/09/19	
		CHKD	Patrick	
		DATE	2019/09/19	
		APPD	Monica	
SCALE: N/A	DWG SIZE: A3	DO NOT SCALE DRAWING		DATE: 2019/09/19
		SHT	1/1	3190-6509
		REV	A	