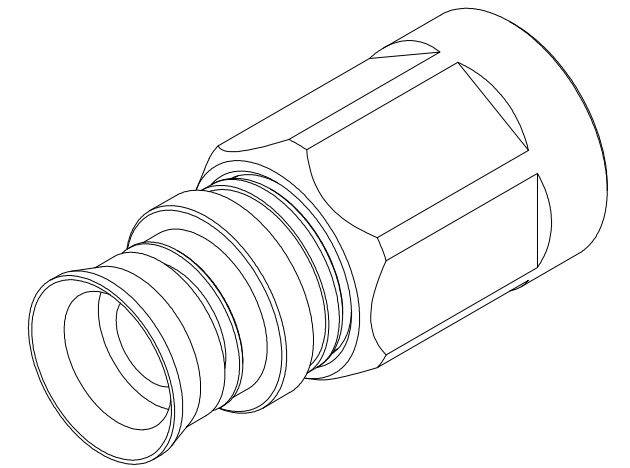
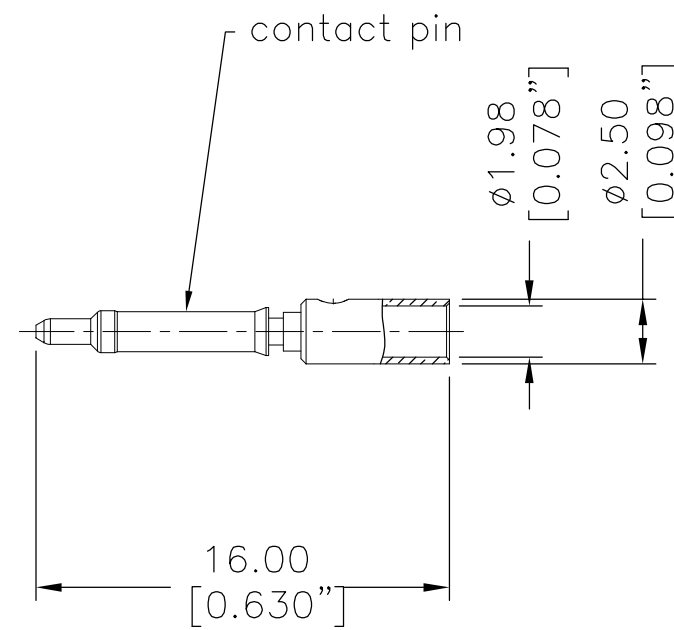
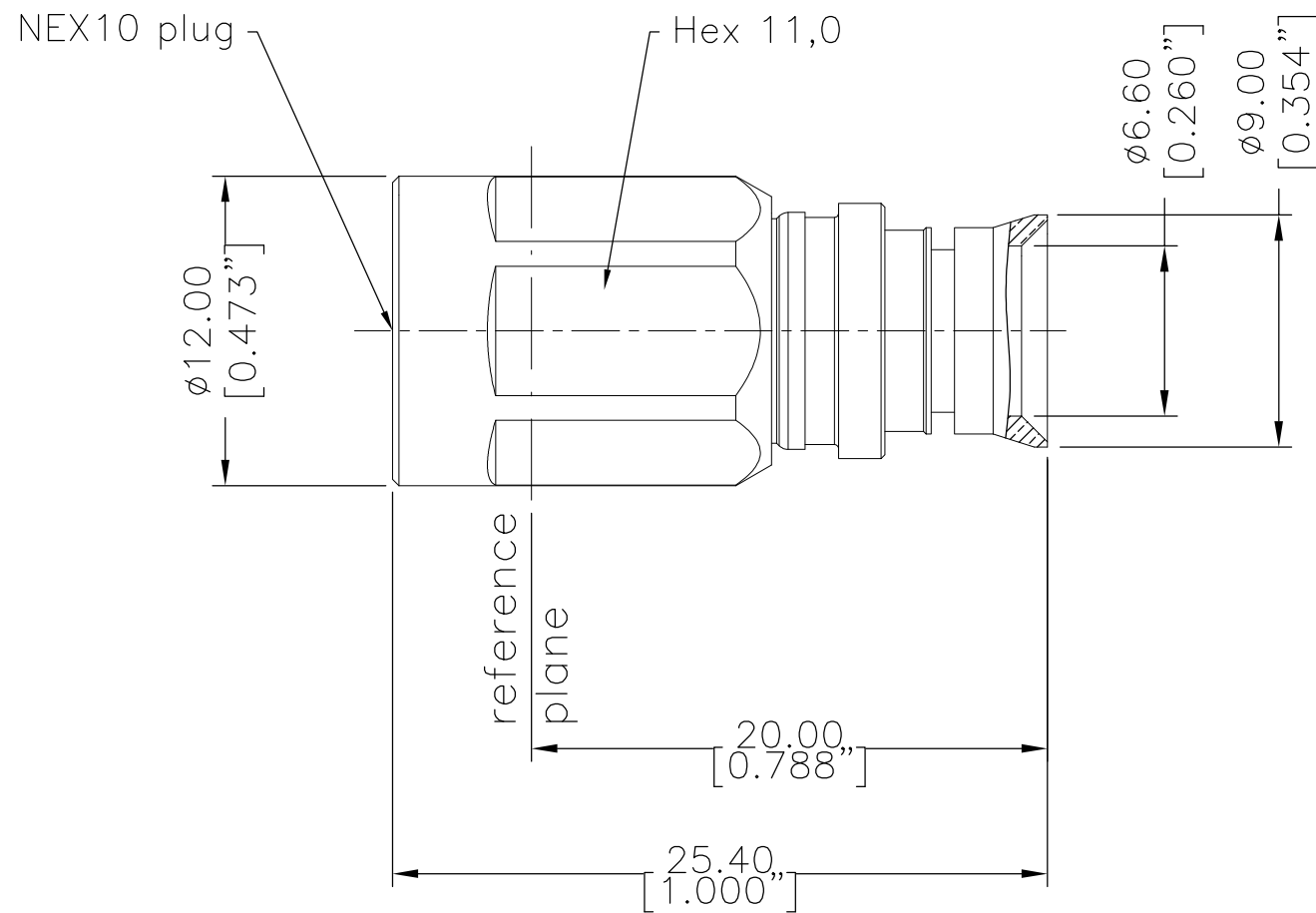


SYM	REVISION DESCRIPTION	DFTM	DATE	APPD	APPD
A	RELEASED FOR PRODUCTION	Joslen	2019/06/25	Monica	2019/06/25



**I. MATERIALS & FINISHES**

Components	Materials	Finishes	Thk. ( $\mu$ " )
Body	Brass	Albaloy	100
Center Contact	Brass	Silver	100
Outer Contactor	Bronze	Silver	100
Coupling Nut	Brass	Albaloy	100
Insulator	PTFE	--	--
Gasket	Silicone	--	--

**II. ELECTRICAL PROPERTIES**

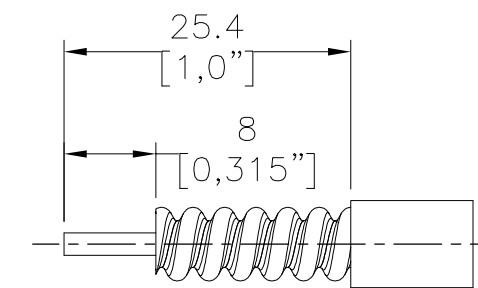
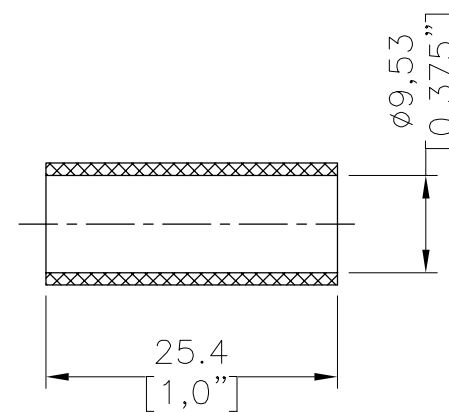
Impedance ( $\Omega$ ):	50
Frequency Range (GHz):	DC to 6 GHz
Working Voltage (V):	2500
Insulation Resistance (M $\Omega$ ):	$\geq 10000$
VSWR:	$\leq 1.30$
Insertion Loss(dB, f/GHz):	$-0.1x \sqrt{f}$
Low PIM3 (2X-43dBm,dBc):	$\leq -160$

**III. ENVIRONMENT PROPERTIES**

Temperature Range:	-40°C~+125°C
Thermal Shock:	MIL-STD 202G, Meth.107, Cond.B
Vibration:	MIL-STD 202G, Meth.204, Cond.B
Shock:	MIL-STD 202G, Meth.213, Cond I
Climatic Class:	IEC 60068 55/155/56
(2002/95/EC)RoHS:	Compliant

**IV. MECHANICAL PROPERTIES**

Center Cont.:	Solder
Outer Cont.:	Solder
Coupling Nut Torque (N.m):	1.5
Cbl-Connector Retention Force (N):	500
Durability (cycles):	500



Shrink Tube (3/8"x1.0" 3:1)

RECOMMENDED CABLE STRIPPING DIM'S  
Connector adds: 14,8 mm [0,583"]

Compatible with NEX10

UNLESS OTHERWISE SPECIFIED			DFTM.	JOSLEN	
ALL DIMENSIONS ARE IN mm MACHINED SURFACES FINISH 1.6 RMS MAX. REMOVE ALL BURRS 0.15X45° MAX. BREAK MACHINE CORNERS 0.15X45° D MAX. FILLET R. TOLERANCES ON DECIMALS .X $\pm 0.15$ .XX $\pm 0.10$ ANGLES $\pm 2^\circ$ FRACTIONS $\pm N/A$			DATE	2019/06/25	
			CHKD	Patrick	
			DATE	2019/06/25	
			APPD	Monica	
DO NOT SCALE DRAWING	CODE IDENT	68999	DATE	2019/06/25	
					<b>TC-250-NX10M-LP</b> NEX10 Screw Type Male (Plug) Straight Direct Solder Connector for SPP-250-LLPL/SPO-250/TFT-401 Cable
					SHT 1 OF 1 <b>3190-6660</b> REV A