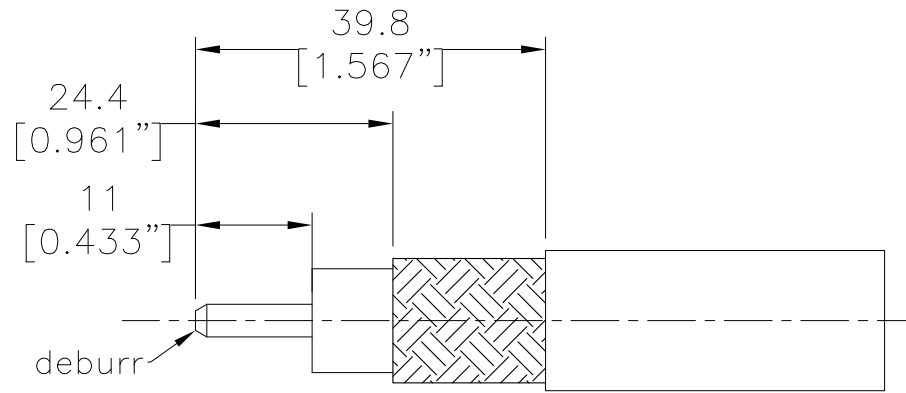
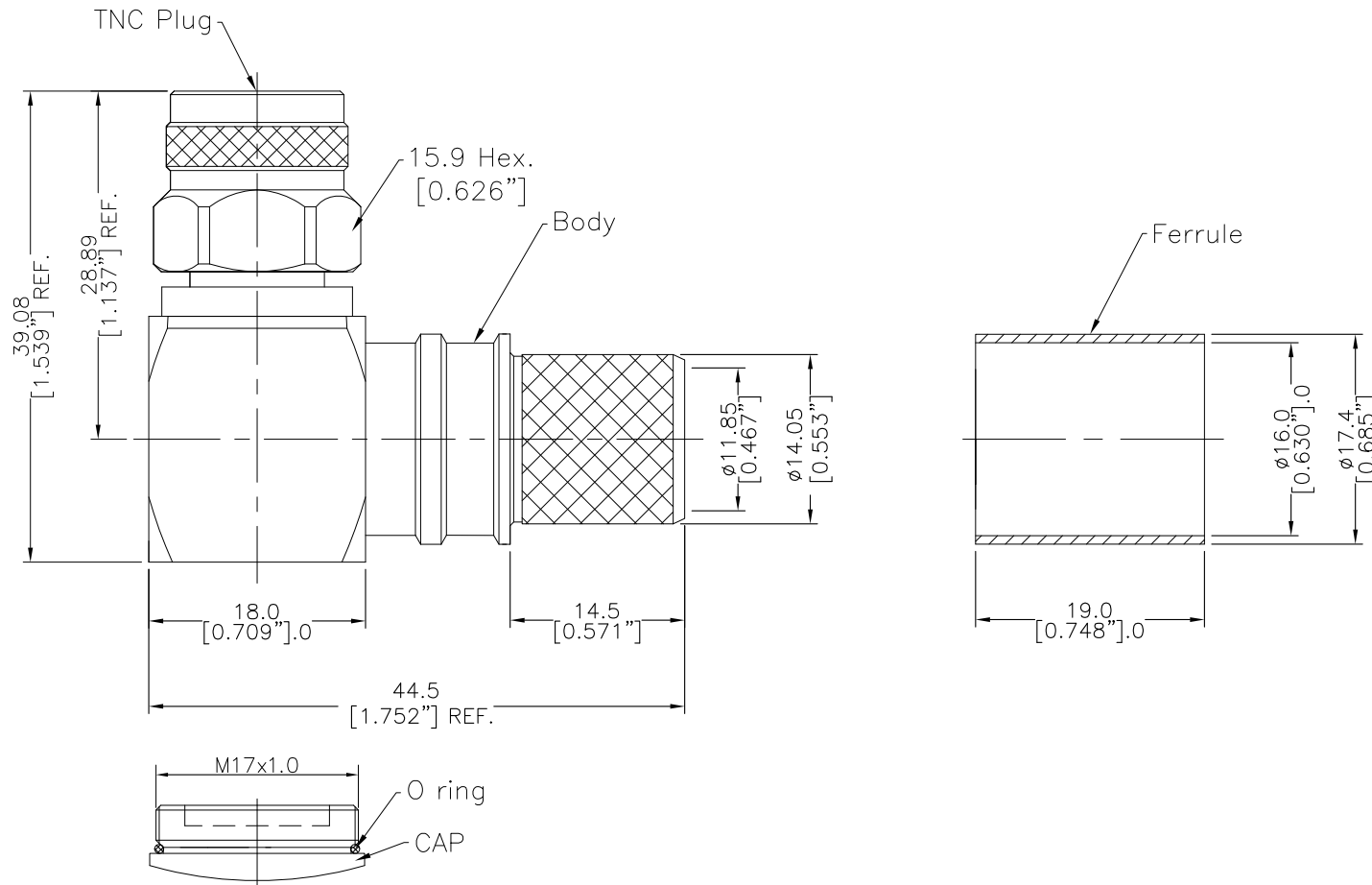


SYM	REVISION DESCRIPTION	DFTM	DATE	APPD	DATE
A	RELEASED FOR PRODUCTION	D.J.H	2011/12/22	J.D.B	2012/01/03
B	Changed per CDC #42512	D.J.H	2015/06/23	J. D.B	2015/06/25
C	Changed per CDC #49037	Monica	2020/01/13	Tony.Z	2020/01/13



RECOMMENDED CABLE STRIPPING DIM'S  
Connector Adds: 0 mm

Interface Compatible with Standard:  
IEC 60169-17  
MIL-STD-348

**I. MATERIALS & FINISHES**

Components	Materials	Finishes	Thk. (μ")
Body	Brass	Albaloy	80
Contact Pin	Brass	Gold	50
Insulator	PTFE	--	--
Coupling Nut	Brass	Albaloy	80
Ferrule	Copper	Albaloy	80
Gasket	Silicone Rubber	--	--

**II. ELECTRICAL PROPERTIES**

Impedance:	50 Ω
Frequency Range:	DC to 6 GHz
Dielectric Withstanding Voltage:	1000 V rms
Insulation Resistance:	≥5000 MΩ
VSWR: DC to 6 GHz	≤1.35
Insertion Loss:	-0.1x√f(GHz) dB

**III. ENVIRONMENTAL PROPERTIES**


Temperature Range:	-40°C to +125°C
Thermal Shock:	MIL-STD-202, Meth.107, Cond. B
Vibration:	MIL-STD-202, Meth.204, Cond. B
Shock:	MIL-STD-202, Meth.213, Cond. I
Climatic Class:	IEC 60068 55/155/21
RoHS:	Compliant

**IV. MECHANICAL PROPERTIES**

Center Contact:	Spring Finger
Outer Contact:	Crimp
Coupling Nut Torque:	4-6 in.lbs
Cbl-Connector Retention Force:	200 lbs
Durability:	500 Cycles

**V. TOOLINGS & ACCESSORIES**

Crimping Tool:	3192-170/ CT-600
Heat Shrink Tube:	1"x2" (3:1) 1 pcs
WSB Boot Option:	3109-401/ WSB-600

UNLESS OTHERWISE SPECIFIED		DFTM.	D.J.H	 <b>TC-600-TM-RA-D</b> TNC Male (Plug) Right Angle Solder Pin Connector for LMR-600 Cable				
ALL DIMENSIONS ARE IN mm MACHINED SURFACES FINISH 1.6 RMS MAX. REMOVE ALL BURRS 0.15X45° MAX. BREAK MACHINE CORNERS 0.15X45° D MAX. FILLET R. TOLERANCES ON DECIMALS .X ±0.15 .XX ±0.1 ANGLES ±2° FRACTIONS ± N/A		DATE	2011/12/22					
		CHKD	J.D.B					
		DATE	2012/01/03					
		APPD	J.D.B					
SCALE:	DWG SIZE	DO NOT SCALE DRAWING	DATE	SHT	1/1	3190-2707	REV	C