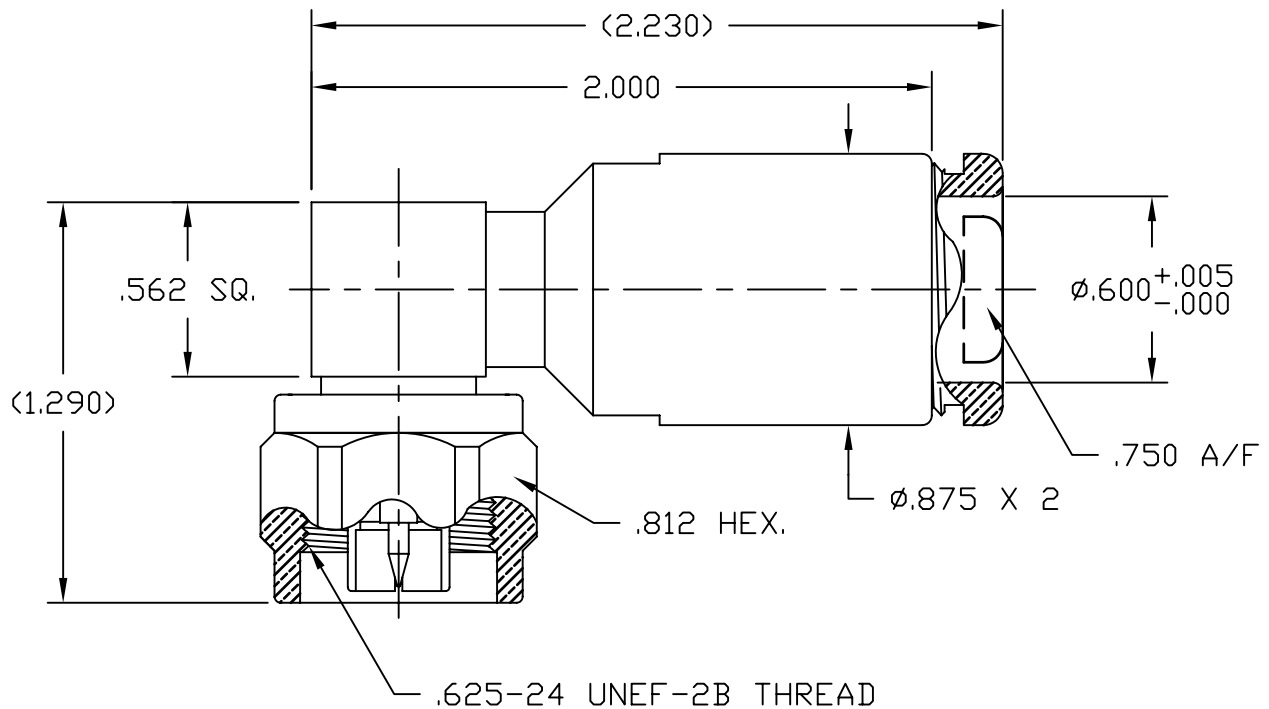


SYM	REVISION DESCRIPTION	DFTM	DATE	APPD	DATE
-	RELEASED FOR PRODUCTION	J. P.	9/1/94	J. P.	9/1/94
A	CHANGED PER CDC #28214	D. J. H.	4/10/08	J. D. B.	4/14/08



NOTES:

- ASSEMBLED CONNECTOR INTERFACE IS DESIGNED IN ACCORDANCE WITH MIL-STD-348.
- MATERIAL: LOCKING RING - PHOSPHOR BRONZE PER QQ-B-750.
CABLE CONTACT - BERYLLIUM COPPER PER ASTM B196.
INSULATORS - TEFLON PER ASTM D1710.
GASKETS - SILICONE RUBBER PER ZZ-R-765.
ALL OTHER METAL PARTS - BRASS PER ASTM B16.
- FINISHES: LOCKING RING - NOT PLATED.
CONTACTS - GOLD PLATE PER MIL-G-45204.
ALL OTHER METAL PARTS - SILVER PLATE PER QQ-S-365.

MATERIAL: UNLESS OTHERWISE SPECIFIED	ALL DIMENSIONS ARE IN INCHES MACHINED SURFACES FINISH N/A RMS MAX. REMOVE ALL BURRS .005 MAX. BREAK MACHINE CORNERS .005 MAX. FILLET R. TOLERANCES ON DECIMALS .XX ± .03 .XXX ± .005 ANGLES ± 3° FRACTIONS ± N/A	DFTM. J. P.	TIMES MICROWAVE SYSTEMS
		DATE 9/1/94	
USED ON: -	CHKD. J. P.	TC-600-NMC-RA 90° "N" MALE (PLUG) CLAMP FOR LMR-600 CABLE	
	DATE 9/1/94		
SCALE: N/A	DWG. SIZE A	APPD. J. P.	
DO NOT SCALE DRAWING	CODE IDENT 68999	DATE 9/1/94	REV A
		SH 1 of 1	SD3190-233