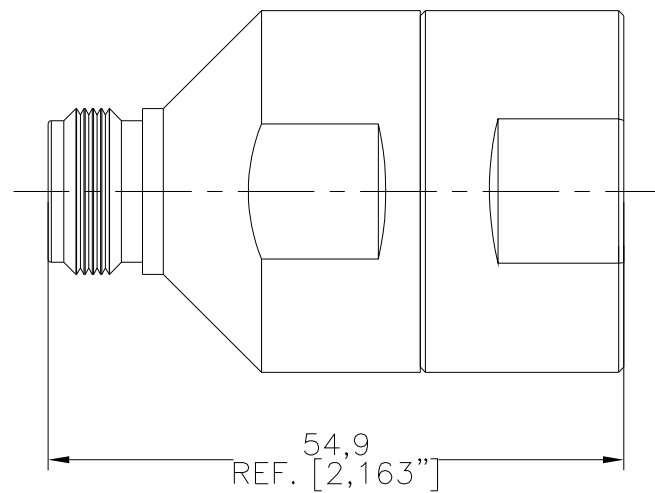
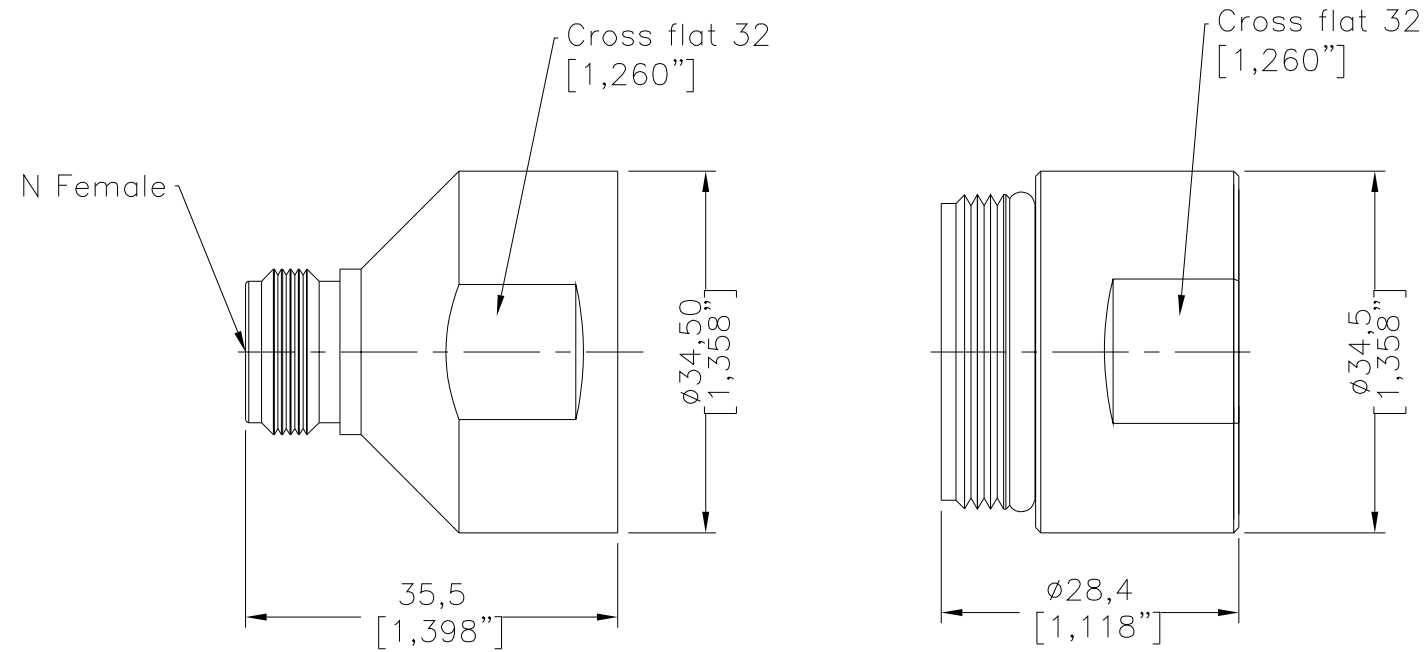


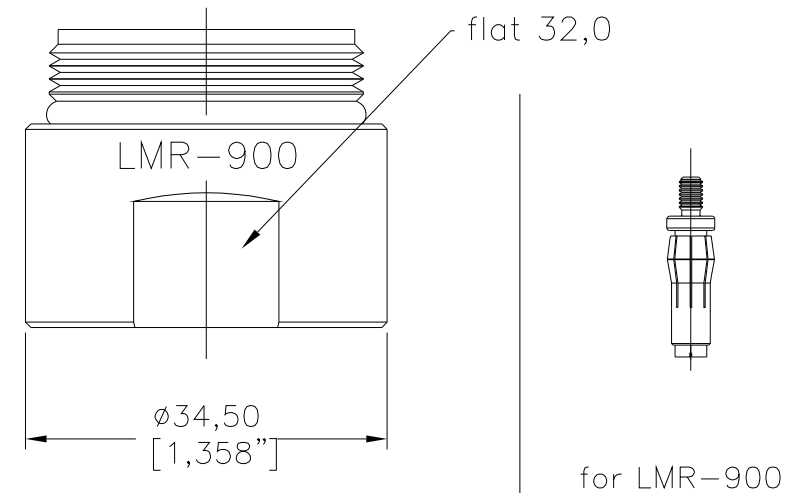
NOTICE OF PROPRIETARY RIGHTS THIS DOCUMENT CONTAINS CONFIDENTIAL DATA, INCLUDING TRADE SECRETS, PROPRIETARY TO TIMES MICROWAVE SYSTEMS. DISCLOSURE OF THIS DATA IS EXPRESSLY CONDITIONED UPON YOUR ASSENT THAT ITS USE IS LIMITED TO USE WITH IN YOUR COMPANY ONLY. ANY OTHER USE IS STRICTLY PROHIBITED WITHOUT THE PRIOR WRITTEN CONSENT OF TIMES MICROWAVE SYSTEMS.

SYM	REVISION DESCRIPTION	DFTM	DATE	APPD	APPD
A	RELEASED FOR PRODUCTION	Joslen	2017/12/13	TZ	2017/12/13
B	Two nuts option for all 900 cable	Patrick	2019/01/14	Joslen	2019/01/14



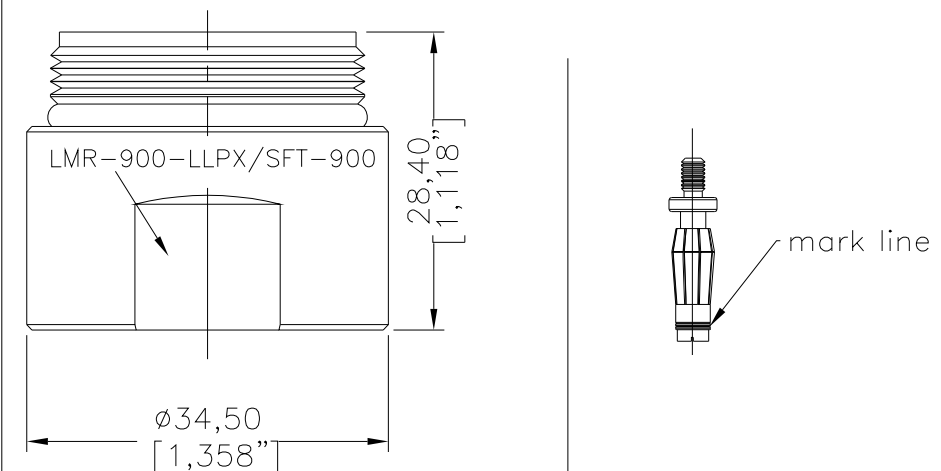
Option

for LMR-900-DB/-FR



for LMR-900

for LMR-900-LLPX/SFT-900



I. MATERIALS & FINISHES

Components	Materials	Finishes	Thk. (μ")
Body	Brass	Albaloy	100
Center Cont.	Brass/QBe2	Silver	200
Lock Nut	Brass	Nickel	200
Insulator	PTFE	--	--
Gasket	Silicone	--	--

II. ELECTRICAL PROPERTIES

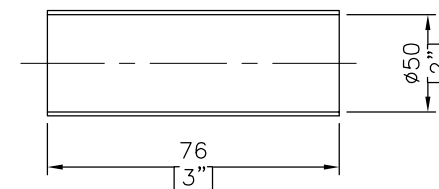
Impedance (Ω):	50
Frequency Range (GHz):	DC to 6 GHz
Working Voltage (V):	2500
Insulation Resistance (MΩ):	≥10000
VSWR:	≤1.30
Insertion Loss(dB, f/GHz):	-0.1x √f

III. ENVIRONMENT PROPERTIES

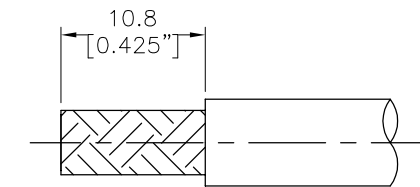
Temperature Range:	-40°C~+85°C
Thermal Shock:	MIL-STD 202G, Meth.107, Cond.B
Vibration:	MIL-STD 202G, Meth.204, Cond.B
Shock:	MIL-STD 202G, Meth.213, Cond I
Climatic Class:	IEC 60068 40/85/21
(2002/95/EC)RoHS:	Compliant

IV. MECHANICAL PROPERTIES

Center Cont.:	Finger Contact
Outer Cont.:	Clamp
Coupling Nut Torque (N.m):	N/A
Cbl-Connector Retention Force (N):	1000
Durability (cycles):	500



Heat Shrink Tube (2"x3" 3:1)



RECOMMENDED CABLE STRIPPING DIM'S
Connector adds: 26.7 mm

Compatible with Standard: IEC 61169-16

MATL:	UNLESS OTHERWISE SPECIFIED	DFTM:	Patrick	<p>EZ-900-NFC-2-SP Type N Female (Jack) Straight Non- Solder Pin Connector for LMR-900/LMR-900-LLPX/SFT-900 Cable</p>				
USED ON: O	ALL DIMENSIONS ARE IN mm MACHINED SURFACES FINISH 1.6 RMS MAX. REMOVE ALL BURRS 0.15X45° MAX. BREAK MACHINE CORNERS 0.15X45° D MAX. FILLET R. TOLERANCES ON DECIMALS .X ±0.3 .XX ±0.15 ANGLES ±2° FRACTIONS ± N/A	DATE:	2019/01/14					
SCALE: N/A		CHKD:	Monica					
DWG SIZE: A4		DATE:	2019/01/14					
DO NOT SCALE DRAWING	CODE IDENT: 68999	APPD:	Joslen	DATE:	2019/01/14	SHT: 1 OF 1	3190-6444	REV: B