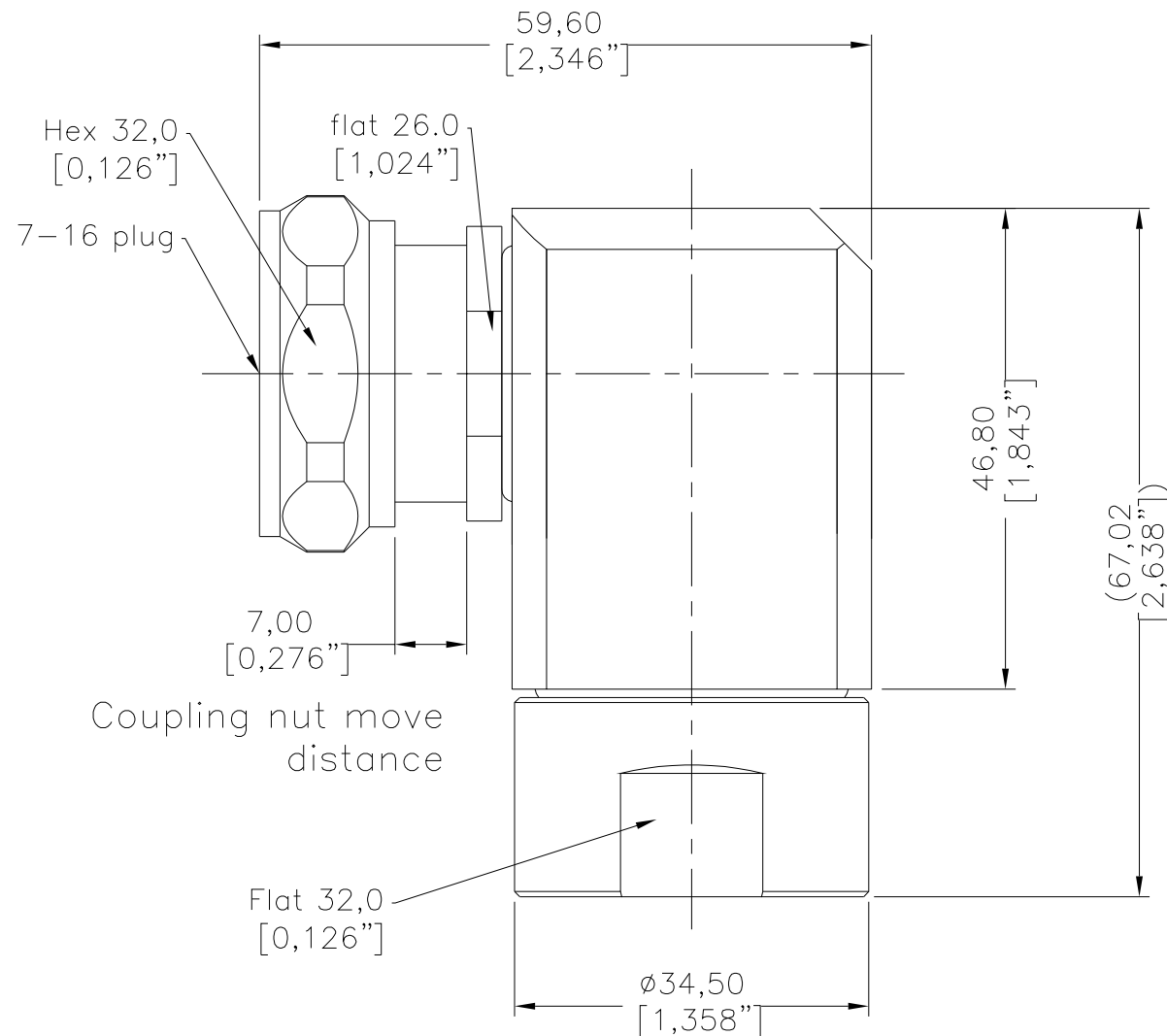
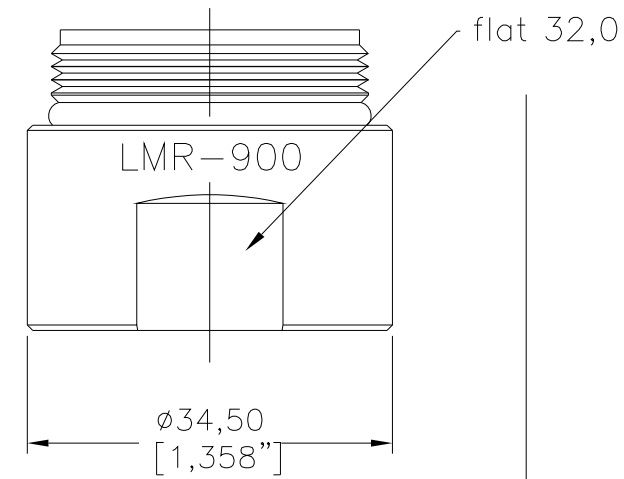


SYM	REVISION DESCRIPTION	DFTM	DATE	APPD	APPD
A	RELEASED FOR PRODUCTION	Joslen	2018/01/22	TZ	2018/01/22
B	Two nuts option for all 900 cable	Patrick	2019/01/11	Joslen	2019/01/11



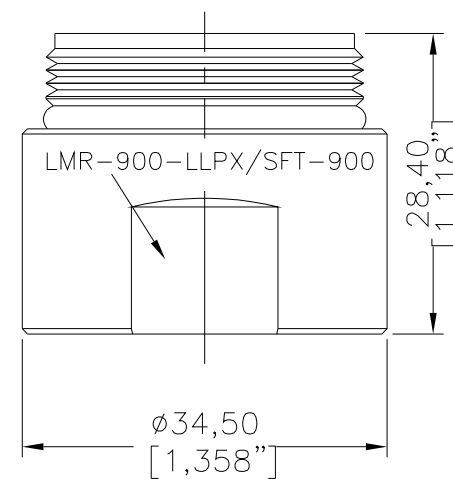
Option

for LMR-900-DB/-FR



for LMR-900

for LMR-900-LLPX/SFT-900



mark line

**I. MATERIALS & FINISHES**

Components	Materials	Finishes	Thk. (μ")
Body	Brass	Albaloy	100
Center Cont.	Brass/QBe2	Silver	200
Coupling Nut	Brass	Nickel	100
Insulator	PTFE	--	--
Gasket	Silicone	--	--

**II. ELECTRICAL PROPERTIES**

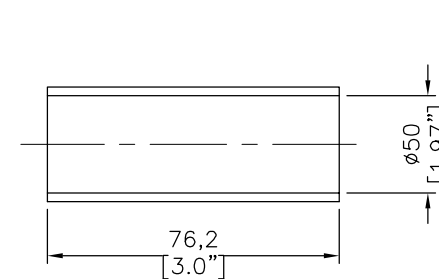
Impedance (Ω):	50
Frequency Range (GHz):	DC to 3 GHz
Working Voltage (V):	2500
Insulation Resistance (MΩ):	≥10000
VSWR:	≤1.25
Insertion Loss(dB, f/GHz):	-0.1x √f

**III. ENVIRONMENT PROPERTIES**

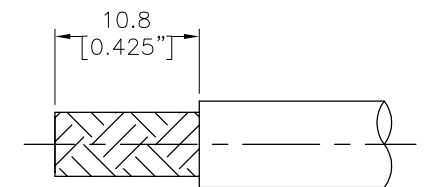
Temperature Range:	-40°C~+85°C
Thermal Shock:	MIL-STD 202G, Meth.107, Cond.B
Vibration:	MIL-STD 202G, Meth.204, Cond.B
Shock:	MIL-STD 202G, Meth.213, Cond I
Climatic Class:	IEC 60068 55/155/56
(2002/95/EC)RoHS:	Compliant

**IV. MECHANICAL PROPERTIES**

Center Cont.:	Finger Contact
Outer Cont.:	Clamp
Coupling Nut Torque (N.m):	25
Cbl-Connector Retention Force (N):	500
Durability (cycles):	500



Shrink Tube (1,97"x3,0" 3:1)



RECOMMENDED CABLE STRIPPING DIM'S  
Connector adds: 36.0 mm

Compatible with: IEC 61169-4

MATL:	UNLESS OTHERWISE SPECIFIED	DFTM:	patrick	<p><b>EZ-900-716MC-RA-2-SP</b></p> <p>7-16 Male (Plug) Right Angle Non-Solder Pin Connector with Retractable Coupling Nut for LMR-900/LMR-900-LLPX/SFT-900 Cable</p>						
USED ON: O	ALL DIMENSIONS ARE IN mm MACHINED SURFACES FINISH 1.6 RMS MAX. REMOVE ALL BURRS 0.15X45° MAX. BREAK MACHINE CORNERS 0.15X45° D MAX. FILLET R. TOLERANCES ON DECIMALS .X ±0.3 .XX ±0.15 ANGLES ±2° FRACTIONS ± N/A	DATE:	2019/01/11							
SCALE:	DO NOT SCALE DRAWING	CHKD:	Monica							
N/A	CODE	DATE:	2019/01/11							
DWG	SIZE	APPD:	Joslen	DATE:	2019/01/11	SHT	1 OF 1	3190-6423	REV	B