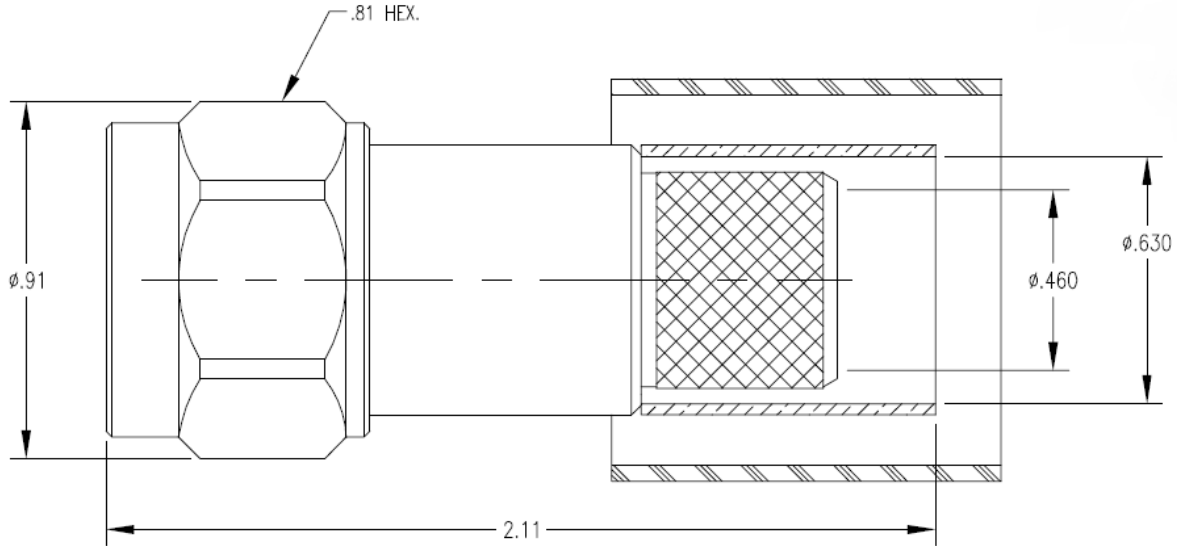


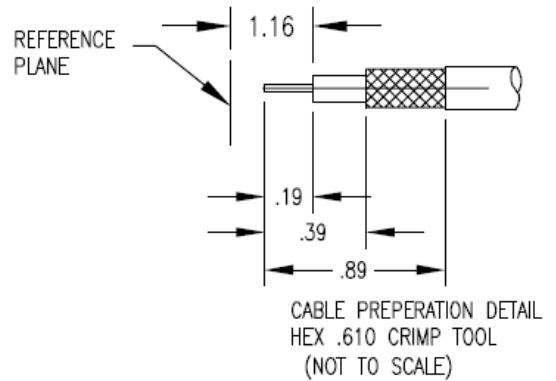
THE REVISION STATUS OF ALL SHEETS OF THIS DRAWING IS THE SAME AS SHEET 1

LTR	DESCRIPTION	DATE	BY
-	Released	3/22/04	JCL
A	Center Contact from Brass to BeCu	5/24/06	JCL
B	Changed Per CDC #47186	7/27/17	MTC



BODY	CONTACT
NICKEL	GOLD

- 1.0 PERFORMANCE
- 1.1 FREQUENCY RANGE: DC-2GHz
- 1.2 NOMINAL IMPEDANCE: 75 OHMS
- 1.3 DWV: 2500V RMS @ 60Hz (sea level)
- 1.4 TEMPERATURE RANGE: -65°C TO +165°C
- 2.0 MATERIALS
- 2.1 DIELECTRIC: PTFE
- 2.2 CENTER CONTACT: BeCu
- 2.3 CRIMP FERRULE: Cu
- 2.4 LOCKING RING: PHOSPHOR BRONZE
- 2.5 ALL OTHER METAL PARTS: BRASS
- 2.6 GASKET: SI RUBBER
- 2.7 SHRINK SLEEVE: THICK WALL POLYOLEFIN
- 3.0 FINISHES
- 3.1 CENTER CONTACT: SEE TABLE
- 3.2 ALL OTHER METAL PARTS: SEE TABLE
- 4.0 MECHANICAL
- 4.1 INTERFACE REFERENCE MIL-STD-348, 75 OHM
- 5. THIS IS A 75 OHM CONNECTOR WHICH WILL ACCEPT A LMR-600-75 CABLE.



Unless otherwise specified, dimensions are in inches. Tolerances are applicable when specified.

These drawings and specifications contain proprietary information which is the property of Times Microwave Systems.

Approvals		
Drawn	JCL	3/22/04



TIMES MICROWAVE SYSTEMS

Wallingford, CT 06492
 (203) 949-8400; (203) 949-8423.Fax
 www.timesmicrowave.com

EZ-600-NMH-75

**N Male Straight Plug (75 ohm interface)
 for LMR-600-75 Cable**

Size A	CAGE CODE 68999	Drawing No.: 3190-1620
-----------	---------------------------	----------------------------------

Scale: NA

Rev. (B)

Sheet: 1 of 1