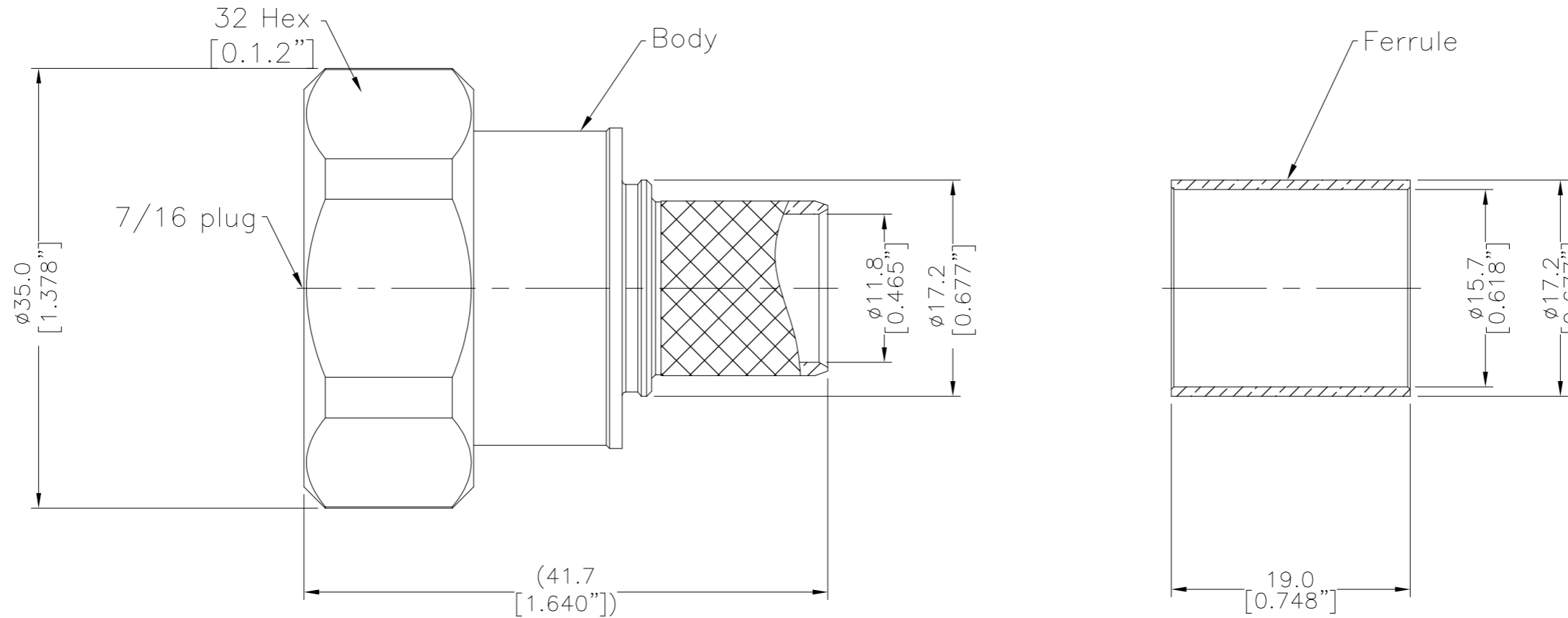


SYM	REVISION DESCRIPTION	DFTM	DATE	APPD	DATE
A	RELEASED FOR PRODUCTION	K.A.M	2019/04/19	J.D.B	2019/04/19
B	Changed Per CDC #37302	D.J.H	2013/03/22	J.D.B	2013/03/25
C	Changed Per ECN-2019-11-005	Monica	2019/11/29	Tony.Z	2019/11/29
D	Changed Per ECN-2026-04-001	Monica	2026/04/02	Tony.Z	2026/04/02



I. MATERIALS & FINISHES

Components	Materials	Finishes	Thk. (μ")
Body	Brass	Albaloy	80
Contact Pin	Beryllium Copper	Silver	200
Insulator	PTFE	--	--
Coupling Nut	Brass	Nickel	200
Ferrule	Copper	Albaloy	80
Gasket	Silicone Rubber	--	--

II. ELECTRICAL PROPERTIES

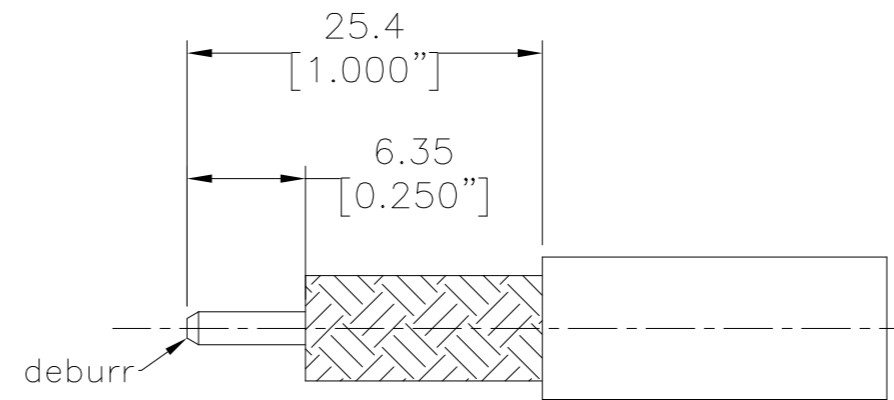
Impedance:	50 Ω
Frequency Range:	DC to 6 GHz
Dielectric Withstanding Voltage:	2500 V rms
Insulation Resistance:	≥10000 MΩ
VSWR: DC to 3 GHz	≤1.15
3 to 6 GHz	≤1.35
Insertion Loss:	-0.1x√f(GHz) dB

III. ENVIRONMENTAL PROPERTIES

Temperature Range:	-55°C to +155°C
RoHS:	Compliant

IV. MECHANICAL PROPERTIES

Center Contact:	Spring Finger
Outer Contact:	Crimp
Coupling Nut Torque:	221-260 in.lbs
Cbl-Connector Retention Force:	112 lbs
Durability:	500 Cycles



RECOMMENDED CABLE STRIPPING DIM'S
Connector Adds: 18.15 mm

Interface Compatible with Standard:
IEC 61169-4

V. TOOLINGS & ACCESSORIES

Stripping Tool:	3192-052/ CST-600
Crimping Tool:	3192-170/ CT-600
Heat Shrink Tube:	1"x2" (3:1) 1 pcs

UNLESS OTHERWISE SPECIFIED		DFTM.	K.A.M	 EZ-600-716M-X 7/16 Male (Plug) Straight Non-Solder Pin No Braid Trim Connector for LMR-600 Cable
ALL DIMENSIONS ARE IN mm MACHINED SURFACES FINISH 1.6 RMS MAX. REMOVE ALL BURRS 0.15X45° MAX. BREAK MACHINE CORNERS 0.15X45° D MAX. FILLET R. TOLERANCES ON DECIMALS .X ±0.15 .XX ±0.1 ANGLES ±2° FRACTIONS ± N/A		DATE	2011/05/23	
		CHKD	J.D.B	
		DATE	2011/06/09	
		APPD	J.D.B	
SCALE: N/A	DWG SIZE: A3	DO NOT SCALE DRAWING		DATE: 2011/06/09
SHT	1/1	3190-2643		REV: D