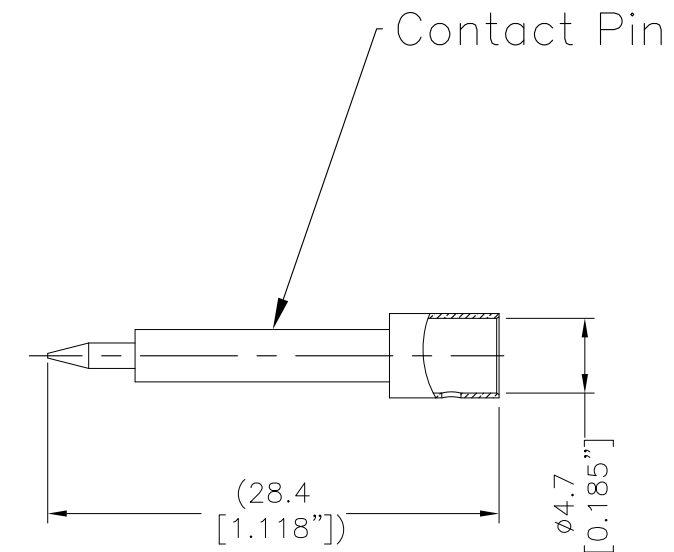
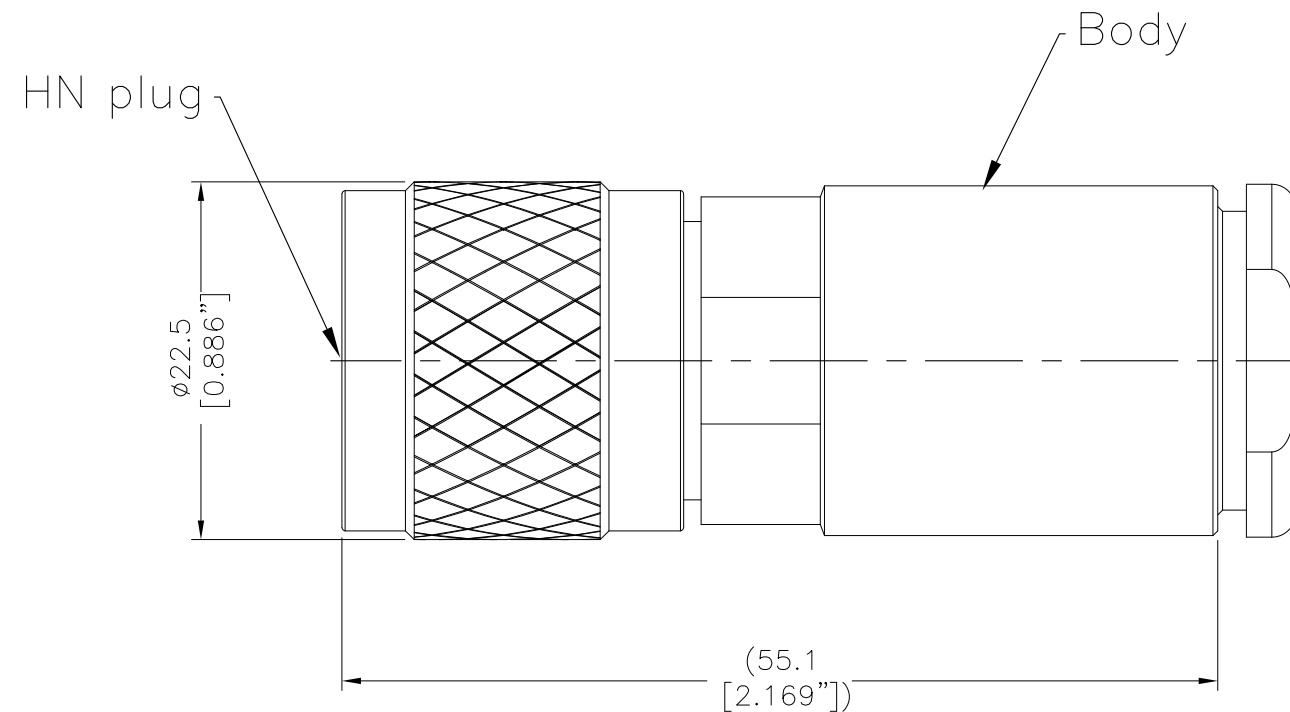


SYM	REVISION DESCRIPTION	DFTM	DATE	APPD	DATE
A	RELEASED FOR PRODUCTION	N.N.N	2014/08/21	J.D.B	2014/08/21
B	ECN-2026-05-001	Monica	2026/05/06	Tony	2026/05/06



**I. MATERIALS & FINISHES**

Components	Materials	Finishes	Thk. (μ")
Body	Brass	Nickel	200
Contact Pin	Brass	Silver	200
Insulator	PTFE	--	--
Outer Conductor	Brass	Nickel	200
Gasket	Silicone Rubber	--	--

**II. ELECTRICAL PROPERTIES**

Impedance:	50 Ω
Frequency Range:	DC to 3 GHz
Dielectric Withstanding Voltage:	3000 V rms
Insulation Resistance:	≥5000 MΩ
VSWR:	≤1.3
Insertion Loss:	-0.1x√f(GHz) dB

All Material and Plating of Parts Meet TIMES Documents: WI-RD-003

**III. ENVIRONMENTAL PROPERTIES**

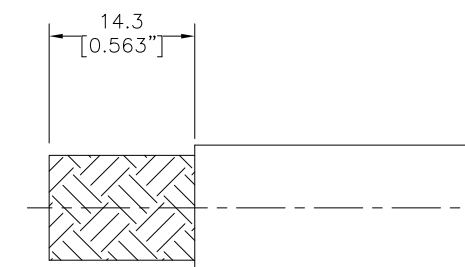
Temperature Range:	-40°C to +125°C
RoHS:	Compliant

**IV. MECHANICAL PROPERTIES**

Center Contact:	Solder
Outer Contact:	Clamp
Coupling Nut Torque:	1-3 N.m
Cbl-Connector Retention Force:	200 in.lbs
Durability:	500 Cycles


**V. TOOLINGS & ACCESSORIES**

Heat Shrink Tube: 1"x2" (3:1) 1 pcs



RECOMMENDED CABLE STRIPPING DIM'S  
Connector Adds: 27.5 mm

Interface Compatible with Standard:  
IEC 61169-74  
MIL-STD-348

UNLESS OTHERWISE SPECIFIED		DFTM:	N.N.N	 <b>TC-600-HNMC</b> HN Male (Plug) Solder Pin Clamp Connector for LMR-600 Cable						
ALL DIMENSIONS ARE IN mm MACHINED SURFACES FINISH 1.6 RMS MAX. REMOVE ALL BURRS 0.15X45° MAX. BREAK MACHINE CORNERS 0.15X45° D MAX. FILLET R. TOLERANCES ON DECIMALS .X ±0.15 .XX ±0.1 ANGLES ±2° FRACTIONS ± N/A		DATE	2014/08/21							
		CHKD	J.D.B							
		DATE	2014/08/21							
		APPD	J.D.B							
SCALE:	DWG SIZE	DO NOT SCALE DRAWING		DATE	2014/08/21	SHT	1/1	3190-1429	REV	B