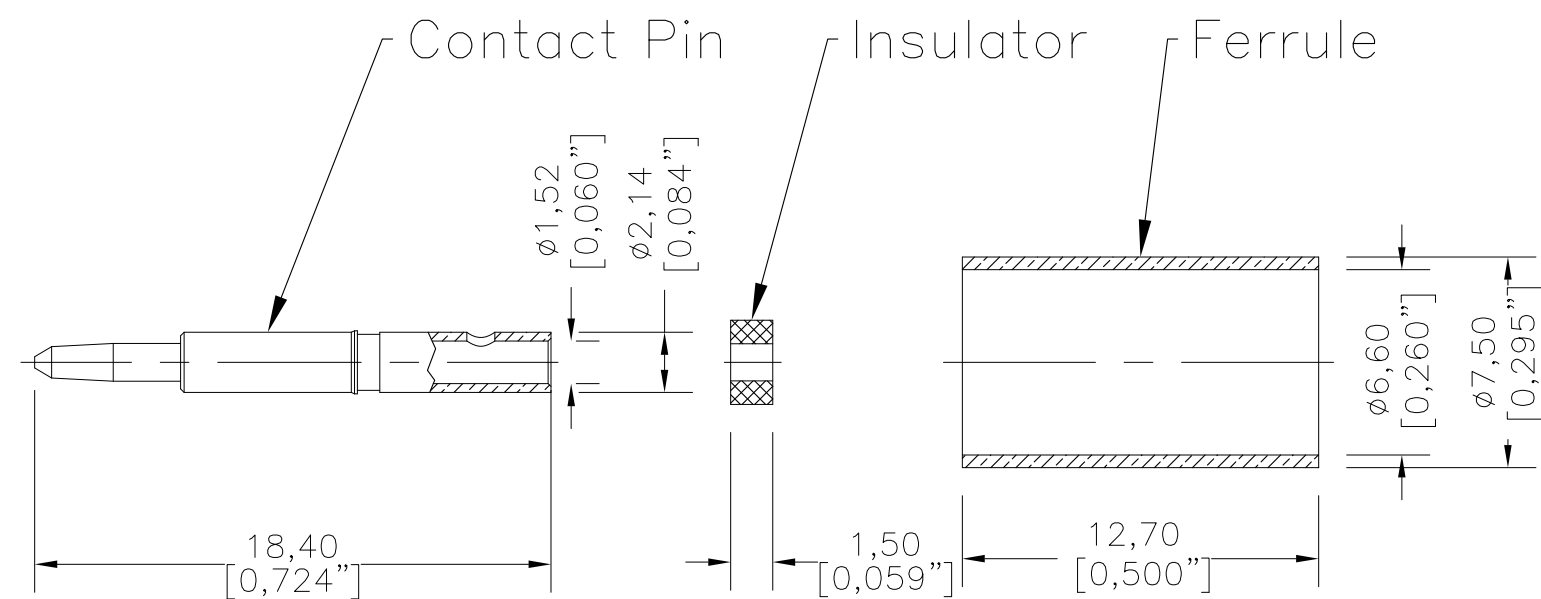
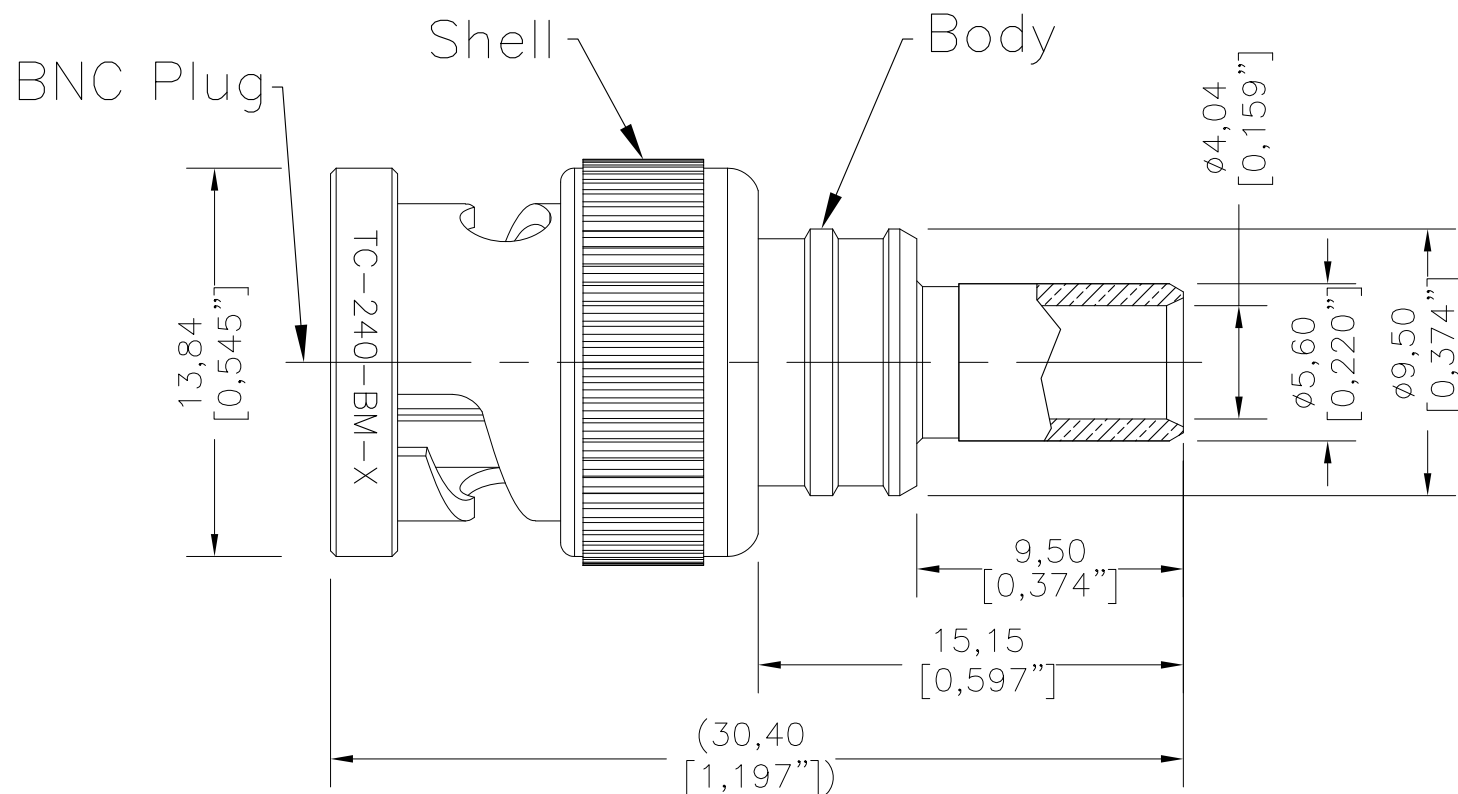


SYM	REVISION DESCRIPTION	DFTM	DATE	APPD	APPD
A	RELEASED FOR PRODUCTION	Joslen	2017.08.23	Tony.Z	2017.08.23
B	Correct Temperature Range	Monica	2019.03.28	Joslen	2019.03.28



I. MATERIALS & FINISHES

Components	Materials	Finishes	Thk. (μ")
Body	Brass	Albaloy	100
Center Cont.	Brass	Gold	50
Ferrule	Brass	Albaloy	100
Nut	Brass	Albaloy	100
Insulator	PTFE	--	--
Gasket	Silicone	--	--

II. ELECTRICAL PROPERTIES

Impedance (Ω):	50
Frequency Range (GHz):	DC to 4 GHz
Working Voltage (V):	1000
Insulation Resistance (MΩ):	≥50000
VSWR:	≤1.30
Insertion Loss(dB, f/GHz):	-0.1x √f

III. ENVIRONMENT PROPERTIES

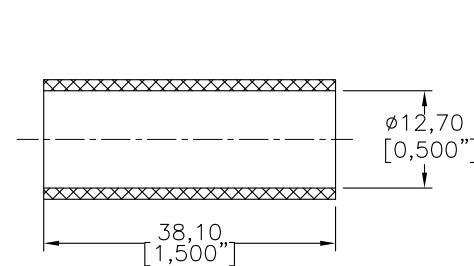
Temperature Range:	-65°C~+165°C
Thermal Shock:	MIL-STD 202G, Meth.107, Cond.B
Vibration:	MIL-STD 202G, Meth.204, Cond.B
Shock:	MIL-STD 202G, Meth.213, Cond G
Climatic Class:	IEC 60068 55/155/21
(2002/95/EC)RoHS:	Compliant

IV. MECHANICAL PROPERTIES

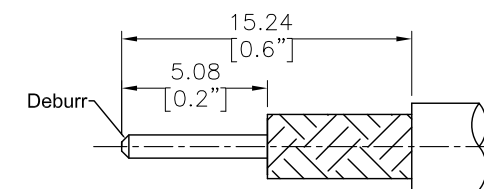
Center Cont.:	Solder
Outer Cont.:	Crimp
Coupling Nut Torque (N.m):	N/A
Cbl-Connector Retention Force (N):	250
Durability (cycles):	500

V. TOOLING

Stripping Tool: 3192-152/CST-240A
Crimping Tool: 3190-667/CT-240/200/100



Shrink Tube (1/2"x1.5" 3:1)



RECOMMENDED CABLE STRIPPING DIM'S
Connector adds: 15.82 mm

Compatible with Standard: MIL-STD-348/301
IEC 61169-8

MATL:	UNLESS OTHERWISE SPECIFIED	DFTM. Joslen	
USED ON: O	ALL DIMENSIONS ARE IN mm MACHINED SURFACES FINISH 1.6 RMS MAX. REMOVE ALL BURRS 0.15X45° MAX. BREAK MACHINE CORNERS 0.15X45° D MAX. FILLET R. TOLERANCES ON DECIMALS .X ±0.3 .XX ±0.15 ANGLES ±2° FRACTIONS ± N/A	DATE 2017.08.23	
SCALE: N/A DWG SIZE A4	DO NOT SCALE DRAWING	CHKD KG	
	CODE IDENT 68999	DATE 2017.08.23	
		APPD TZ	
		DATE 2017.08.23	<p>TC-240-BM-X BNC Male (Plug) Straight Solder Pin No Braid Trim Connector for LMR-240 Cable</p>
		DATE 2017.08.23	<p>1 OF 1 3190-6380</p>