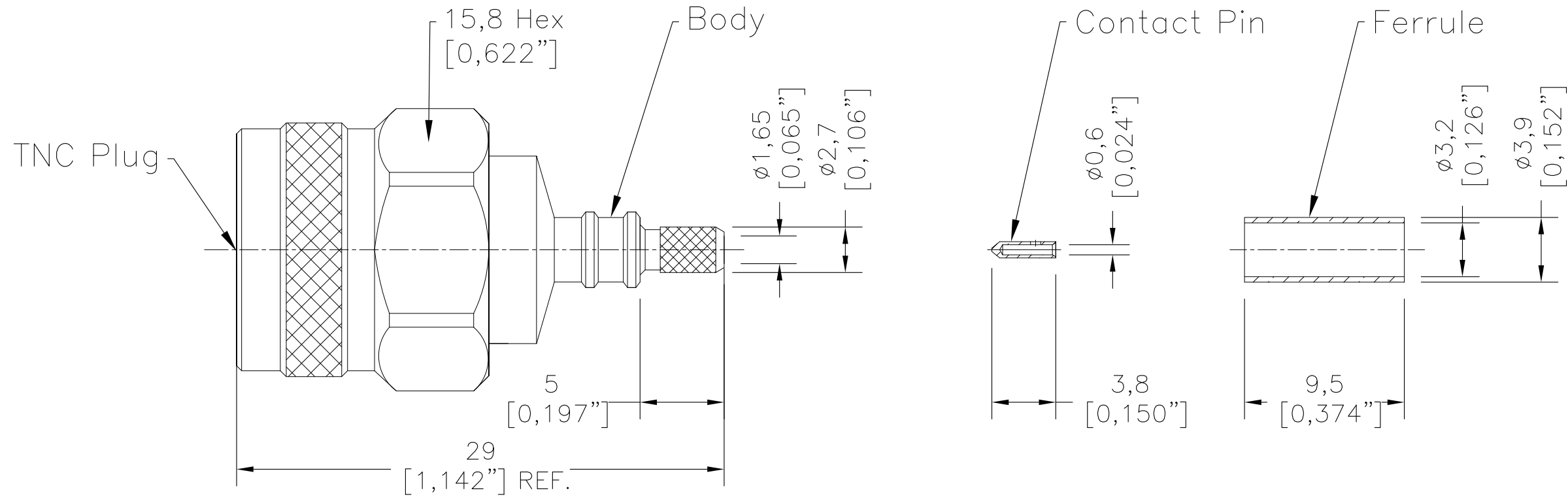


SYM	REVISION DESCRIPTION	DFTM	DATE	APPD	APPD
A	RELEASED FOR PRODUCTION	K.A.M	2011.04.27	J.D.B	2011.04.29
B	Change per CDC #49447	Monica	2018.08.27	Joslen	2018.08.27



I. MATERIALS & FINISHES

Components	Materials	Finishes	Thk. (μ")
Body	Brass	Nickel	100
Center Cont.	QBe2+Brass	Gold	15
Ferrule	Brass	Nickel	100
Nut	Brass	Nickel	100
Insulator	PTFE	--	--
Gasket	Silicone	--	--

II. ELECTRICAL PROPERTIES

Impedance (Ω):	50
Frequency Range (GHz):	DC to 6 GHz
Dielectric Withstanding Voltage (V):	1000
Insulation Resistance (MΩ):	≥5000
VSWR:	<1.25(0-2.2GHz)
Insertion Loss(dB, f/GHz):	-0.1x √f

III. ENVIRONMENT PROPERTIES

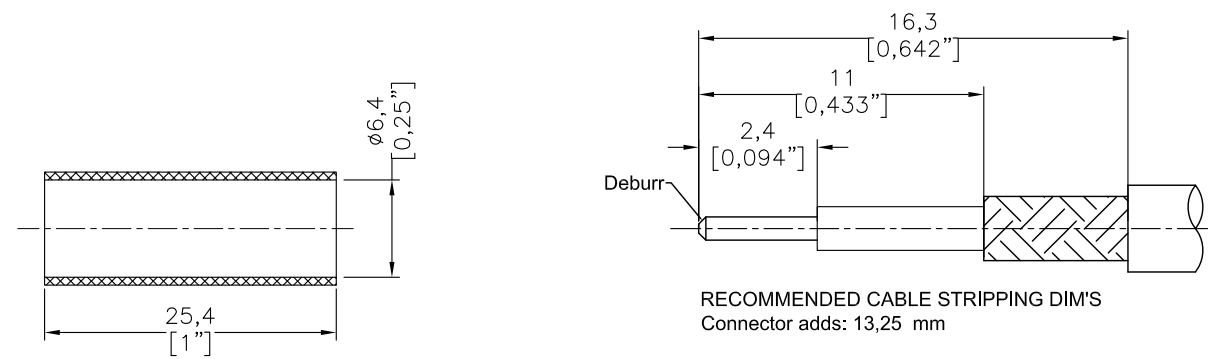
Temperature Range:	-40°C~+125°C
Thermal Shock:	MIL-STD 202G, Meth.107, Cond.B
Vibration:	MIL-STD 202G, Meth.204, Cond.B
Shock:	MIL-STD 202G, Meth.213, Cond I
Climatic Class:	IEC 60068 55/155/21
(2002/95/EC)RoHS:	Compliant

IV. MECHANICAL PROPERTIES

Center Cont.:	Solder
Outer Cont.:	Crimp
Coupling Nut Torque (N.m):	0.91~1.36
Cbl-Connector Retention Force (N):	85
Durability (cycles):	500

V. TOOLING


Stripping Tool: N/A
Crimping Tool: 3190-667/CT-240/200/100



Shrink Tube (1/4"x1" 3:1)

RECOMMENDED CABLE STRIPPING DIM'S
Connector adds: 13,25 mm

Compatible with Standard: IEC 60169-17

MATL:	UNLESS OTHERWISE SPECIFIED	DFTM.	K.A.M	 SC-100-TM-D TNC Male (Plug) Straight Solder Pin Connector for LMR-100A Cable				
USED ON: O	ALL DIMENSIONS ARE IN mm MACHINED SURFACES FINISH 1.6 RMS MAX. REMOVE ALL BURRS 0.15X45° MAX. BREAK MACHINE CORNERS 0.15X45° D MAX. FILLET R. TOLERANCES ON DECIMALS .X ±0.3 .XX ±0.15 ANGLES ±2° FRACTIONS ± N/A	DATE	2011.04.27					
SCALE: N/A	DWG SIZE A4	CHKD	J.D.B					
DO NOT SCALE DRAWING	CODE IDENT 68999	DATE	2011.04.29					
		APPD	J.D.B	DATE	2011.04.29	SHT 1 OF 1	3190-2656	REV B