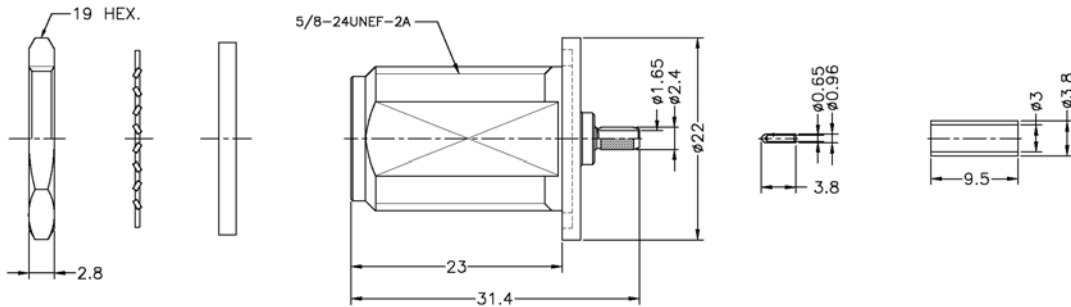


THE REVISION STATUS OF ALL SHEETS OF THIS DRAWING IS THE SAME AS SHEET 1

LTR	DESCRIPTION	DATE	BY
-	Released	2/1/07	JCL



I. MATERIALS & FINISHES

center contact: Gold (10u") Plated Beryllium Copper
 outer contact: Nickel (100u") Plated Brass
 body: Nickel (100u") Plated Brass
 crimp sleeve: Nickel (100u") Plated Copper
 dielectric: Teflon® PTFE
 gasket: Silicone Rubber
 shrink sleeve: Adhesive Lined Polyolefin
 attachment: braid crimp (.213" hex)

II. ELECTRICAL PROPERTIES

impedance: 50 ohms
 working voltage: 1000 vrms (max)
 vswr: 1.25:1 (max) up to 2.5 GHz
 insertion loss: 0.10 x √Fghz

Unless otherwise specified, dimensions are in inches. Tolerances are applicable when specified.

These drawings and specifications contain proprietary information which is the property of Times Microwave Systems.

Approvals		
Drawn	JCL	2/1/07

TIMES MICROWAVE SYSTEMS
 Wallingford, CT 06492
 (203) 949-8400; (203) 949-8423.Fax
 www.timesmicrowave.com

SC-100-NF-BH
 Type-N female Bulkhead
 for LMR-100 Cable

Size A	CAGE CODE 68999	Drawing No.: 3190-2244
--------	---------------------------	----------------------------------

Scale: NA	Rev. (-)	Sheet: 1 of 1
-----------	----------	---------------