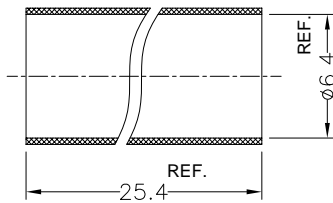
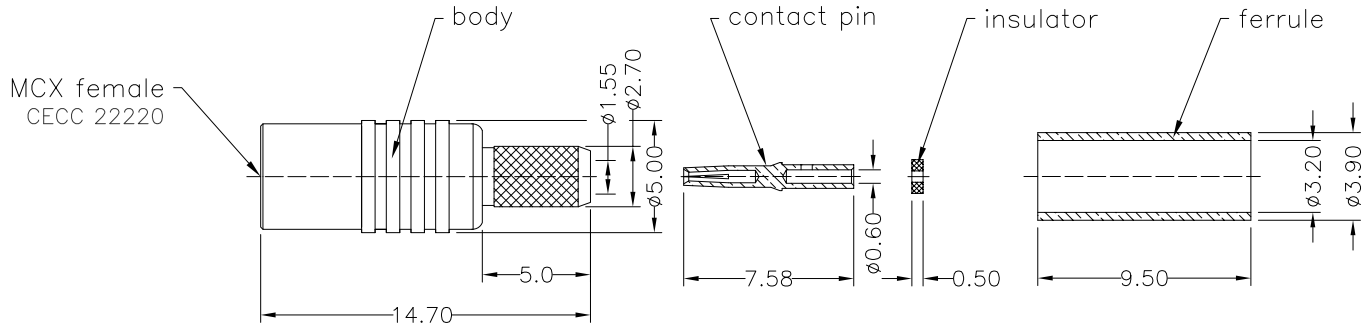
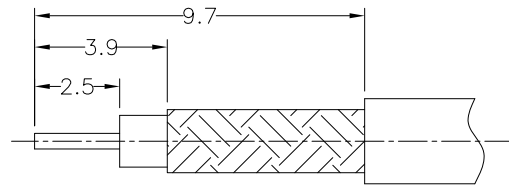


**NOTICE OF PROPRIETARY RIGHTS** THIS DOCUMENT CONTAINS CONFIDENTIAL DATA, INCLUDING TRADE SECRETS, PROPRIETARY TO TIMES MICROWAVE SYSTEMS. DISCLOSURE OF THIS DATA IS EXPRESSLY CONDITIONED UPON YOUR ASSENT THAT ITS USE IS LIMITED TO USE WITHIN YOUR COMPANY ONLY. ANY OTHER USE IS STRICTLY PROHIBITED WITHOUT THE PRIOR WRITTEN CONSENT OF TIMES MICROWAVE SYSTEMS.

SYM	REVISION DESCRIPTION	DFTM	DATE	APPD	APPD
A	RELEASED FOR PRODUCTION	Joslen	2016.03.17	TZ	2016.03.17



Heat Shrink Tube



RECOMMENDED CABLE STRIPPING DIM'S  
Connector adds: 7.0 mm

**I. MATERIALS & FINISHES**

Components	Materials	Finishes	Thk. (μ")
Body	Brass	Gold	3
Center Cont.	QBe2	Gold	15
Insulator	PTFE	--	--

**II. ELECTRICAL PROPERTIES**

Impedance (Ω):	50
Frequency Range (GHz):	DC to 6 GHz
Working Voltage (V):	500
Insulation Resistance (MΩ):	≥5000
VSWR:	≤1.30
Insertion Loss(dB, f/GHz):	-0.1x √f

**III. ENVIRONMENT PROPERTIES**

Temperature Range:	-55°C~+125°C
Thermal Shock:	MIL-STD 202G, Meth.107, Cond.B
Vibration:	MIL-STD 202G, Meth.204, Cond.B
Shock:	MIL-STD 202G, Meth.213, Cond I
Climatic Class:	IEC 60068 55/155/56
(2002/95/EC)RoHS:	Compliant

**IV. MECHANICAL PROPERTIES**

Center Cont.:	Solder
Outer Cont.:	Crimp
Coupling Nut Torque (N.m):	N/A
Cbl-Connector Retention Force (N):	50
Durability (cycles):	500

**V. TOOLING**

Stripping Tool: N/A  
Crimping Tool: N/A

According to Standard: CECC 22220

MATL:	UNLESS OTHERWISE SPECIFIED		DFTM.	Joslen							
	ALL DIMENSIONS ARE IN mm MACHINED SURFACES FINISH 1.6 RMS MAX. REMOVE ALL BURRS 0.15X45° MAX. BREAK MACHINE CORNERS 0.15X45° D MAX. FILLET R. TOLERANCES ON DECIMALS .X ±0.3 .XX ±0.15 ANGLES ±2° FRACTIONS ± N/A		DATE	2016.03.17							
USED ON: O			CHKD	KG		<b>SC-100-MCXF</b> MCX Female (Jack) Straight Solder Pin Connector for LMR-100A Cable					
			DATE	2016.03.17							
			APPD	TZ							
SCALE:	DWG SIZE	DO NOT SCALE DRAWING	CODE IDENT	68999	DATE	2016.03.17		1 OF 1	3190-6259	REV	A