

# MAXGAIN®-160

## HIGH PERFORMANCE MICROWAVE COAXIAL CABLE

MaxGain® Assemblies are high-performance, ultra-low-loss microwave coaxial cables. Built with our unique spiral outer conductor technology, this light-weight cable is a reliable, high frequency interconnect solution.

### FEATURES

- Optimized for lowest attenuation at 40 GHz
- Ultra stable insertion loss, phase and VSWR with flexing
- Flexible, low minimum bend radius
- Superior shielding effectiveness (>90 dB)

### Mechanical Properties

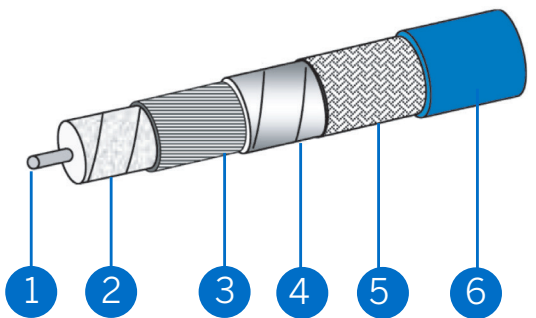
	Units	
Diameter	in (mm)	0.156 (3.96)
Weight	lb/ft (kg/m )	0.026 (0.038)
Minimum Bend Radius	in(mm)	0.75 (19.0)
Operating Temperature	°F (°C)	-67° to 302° (-55° TO 150°)

### Electrical Properties

	Units	
Impedance	$\Omega$	50 +/- 2
Maximum Frequency	GHz	40
Capacitance	pF/ft (pF/m)	25.00 (82.0 )
Velocity of Propagation		80%
Delay	ns/ft (ns/m)	1.28 (4.20)
Shielding		>90dB minimum
<b>Attenuation</b>	<b>dB/ft</b>	<b>dB/m</b>
18.0 GHz	0.52	(1.50)
40.0 GHz	0.795	(2.61)

### KEY APPLICATIONS

- 5G high frequency
- Space environment
- Test and measurement



- |   |                         |                      |
|---|-------------------------|----------------------|
| 1 | <b>Center Conductor</b> | Silver Plated Copper |
| 2 | <b>Dielectric</b>       | Microporus PTFE      |
| 3 | <b>Shield</b>           | Silver Plated Copper |
| 4 | <b>Interlayer</b>       | Metalized Tape       |
| 5 | <b>Outer Braid</b>      | Silver Plated Copper |
| 6 | <b>Jacket</b>           | Blue FEP             |

# MAXGAIN®-160

HIGH PERFORMANCE MICROWAVE COAXIAL CABLE

## Ordering Guide

# MG160-KMKF-01.0-M

### Interface

KM K Male  
KF K Female  
SM SMA Male  
SF SMA Female

### Length

### Units of Measure

M Meters  
F Feet



Heritage—in the air and on the ground, thousands of assemblies built over decades



Global manufacturing capability: US, Mexico, India & China



Assembled and tested MaxGain assemblies provide assured performance

### WORLD HEADQUARTERS

358 Hall Avenue, Wallingford, CT 06492  
1-800-867-2629

**T**  
**TIMES**  
MICROWAVE SYSTEMS  
AN AMPHENOL COMPANY