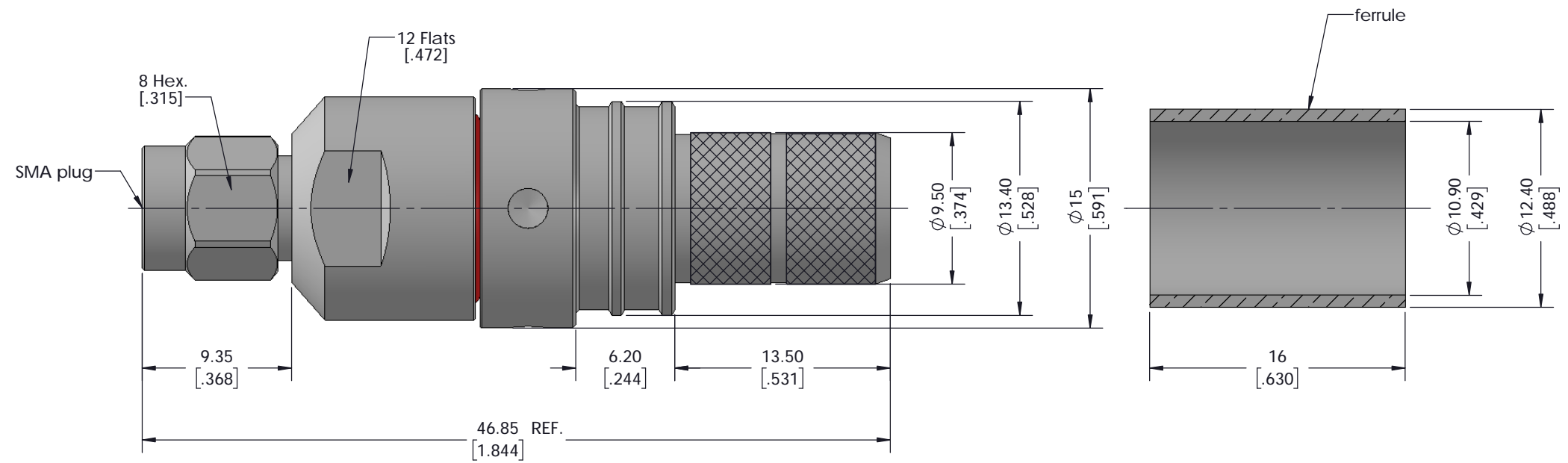


| VER | Description | ECN | Name | Date |
|-----|------------------|-----|---------|------------|
| A | Initial Released | N/A | Patrick | 2018/10/20 |

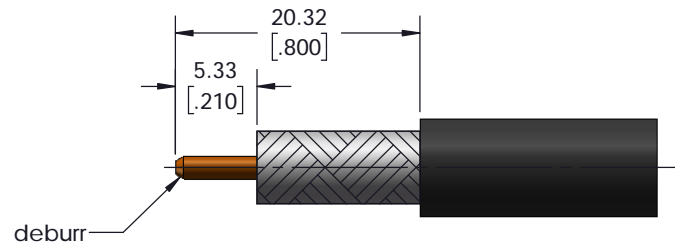


| I. MATERIALS & FINISHES | | | |
|-------------------------|------------------|----------|-----------|
| Component | Material | Finishes | Thk. (u") |
| Body | Brass | Sn-Ni | 100 |
| Contact Pin | Beryllium Copper | Gold | 50 |
| Insulator | PTFE | -- | -- |
| Coupling Nut | Brass | Sn-Ni | 100 |
| Ferrule | Copper | Sn-Ni | 100 |
| Gasket | Silicone Rubber | -- | -- |

| II. ELECTRICAL PROPERTIES | |
|--|------------------|
| Impedance (Ω): | 50 |
| Frequency Range (GHz): | DC~8 GHz |
| Dielectric Withstanding Voltage (V r.m.s): | 1000 |
| Insulation Resistance (MΩ): | ≥5000 |
| VSWR: | ≤1.30 (DC~6 GHz) |
| | ≤1.35 (6~8 GHz) |
| Insertion Loss (dB, f / GHz): | -0.1 x sqrt (f) |

| III. ENVIRONMENT PROPERTIES | |
|-----------------------------|---------------------------------|
| Temperature Range: | -40°C~+125°C |
| Thermal Shock: | MIL-STD-202, Meth. 107, Cond. B |
| Vibration: | MIL-STD-202, Meth. 204, Cond. D |
| Shock: | MIL-STD-202, Meth. 213, Cond. I |
| Climatic Class: | IEC 60068 55/155/21 |
| RoHS: | Compliant |

| IV. MECHANICAL PROPERTIES | |
|--|---------------|
| Center Conductor: | Spring Finger |
| Outer Conductor: | Crimp |
| Coupling Nut Torque (in-lbs): | 7.1~9.7 |
| Cable-Connector Retention Force (lbs): | 120 |
| Durability (Cycles): | 500 |



RECOMMENDED CABLE STRIPPING DIM'S
 Connector Adds: 27.7 mm

- V. Tooling & Accessories**
- Stripping Tool: 3192-004/CST-400
 - Crimping Tool: 3190-666/CT-400/300
 - Heat Shrink Tube: 3/4"x2" (3:1) 1 pcs

Compatible with Standard: IEC 60169-15

| UNLESS OTHERWISE SPECIFIED | | | | DFTM | Patrick | | | | | | | |
|--|-----|-------|----|------------|------------|------|------------|-----|-----|-----------|-----|---|
| ALL DIMENSIONS ARE IN mm MACHINED SURFACES FINISH 1.6 RMS MAX. REMOVE ALL BURRS 0.15X45° MAX. BREAK MACHINE CORNERS 0.15X45° D MAX. FILLET R. TOLERANCES ON DECIMALS .X ±0.1 .XX ±0.15 ANGLES ±2° FRACTIONS ±N/A | | | | DATE | 2018/10/20 | | | | | | | |
| | | | | CHKD | Monica | | | | | | | |
| | | | | DATE | 2018/10/20 | | | | | | | |
| | | | | APPD | Joslen | | | | | | | |
| Scale: | 4:1 | Size: | A3 | CODE IDENT | 68999 | DATE | 2018/10/20 | SHT | 1/1 | 3190-8021 | REV | A |



EZ-400-SM-X
 SMA Male (Plug) Straight Non-Solder
 Pin No Braid Trim Connector for LMR-400 Cable