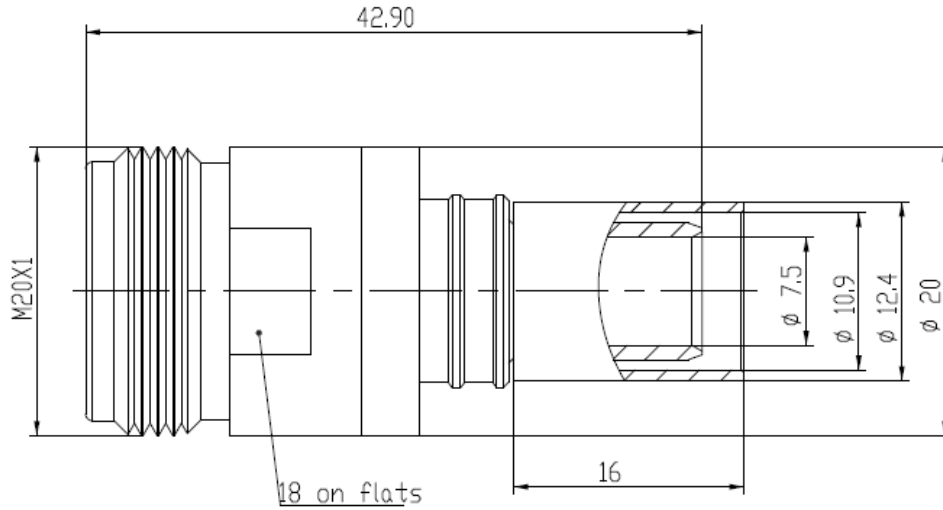


**NOTICE OF PROPRIETARY RIGHTS** THIS DOCUMENT CONTAINS CONFIDENTIAL TECHNICAL DATA, INCLUDING TRADE SECRETS, PROPRIETARY TO TIMES MICROWAVE SYSTEMS. DISCLOSURE OF THIS DATA IS EXPRESSLY CONDITIONED UPON YOUR ASSENT THAT ITS USE IS LIMITED TO USE WITHIN YOUR COMPANY ONLY. ANY OTHER USE IS STRICTLY PROHIBITED WITHOUT THE PRIOR WRITTEN CONSENT OF TIMES MICROWAVE SYSTEMS.

SYM	REVISION DESCRIPTION	DFTM	DATE	APPD	DATE
A	RELEASED FOR PRODUCTION	N. N. N	11/20/13	J. D. B.	12/3/13



Reference standard IEC60169-11

I. Electric Performance  
 Nominal Impedance( $\Omega$ ):  $50 \pm 2$   
 Frequency Range: DC-6GHz  
 VSWR:  $\leq 1.3$   
 Insert Loss:  $\leq 0.1$   
 Insulation resistance (M $\Omega$ ):  $\geq 5000$   
 Proof voltage (V): 2000  
 Conductor resistance (m $\Omega$ ): outer conductor  $< 0.5$   
 inner conductor  $< 1.0$

II. Mechanical Performance  
 Retention:  $\geq 4N$   
 Mating cycles: 500  
 Tensile force(cable-connector): 400N  
 Torsion(cable-connector): 2N.m

III. Material and plating:  
 Component Material Plating  
 Inner conductor Spring Bronze Ag5 $\mu$ m  
 Outer conductor Brass Copper-tin-zinc 2 $\mu$ m  
 Tube copper Copper-tin-zinc 2 $\mu$ m  
 Insulator PTFE

IV. Environment  
 Temperature: -40 $^{\circ}$ C-+85 $^{\circ}$ C  
 Weather standard: IEC 60068 40 / 085/ 21  
 Thermal shock: IEC 60068 -2-14-Na  
 Vibration: IEC 60068-2-6-Fc  
 Shock: IEC 60068-2-27  
 Waterproofing standard: IP67

V. Assembly: inner conductor installed and outer conductor crimped

VI. ROHS Compliant.

Connector Adds: 21.9mm

MATL:	UNLESS OTHERWISE SPECIFIED		DFTM. N. N. N	TIMES MICROWAVE SYSTEMS		
	ALL DIMENSIONS ARE IN mm		DATE 11/20/13			
USED ON: 0-0	DO NOT SCALE DRAWING		CHKD. J. D. B.	<b>EZ-400-4195F-X</b> CONNECTOR, 4. 1/9. 5 Female for LMR-400		
			DATE 12/3/13			
			APPD. J. D. B.			
SCALE: ~	DWG. SIZE A	CODE IDENT 68999	DATE 12/3/13	SHEET 1 of 1	SD3190-2968	REV A