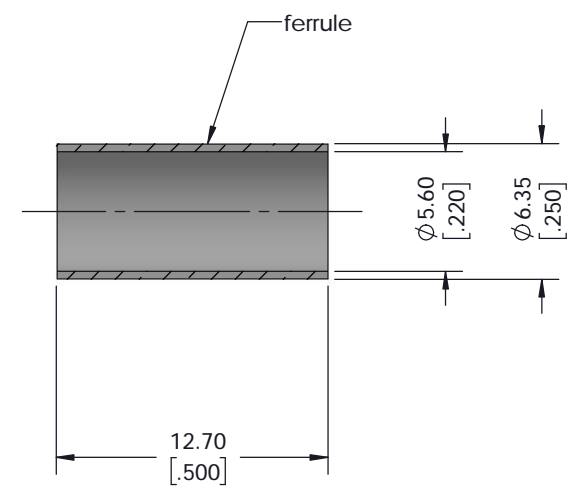
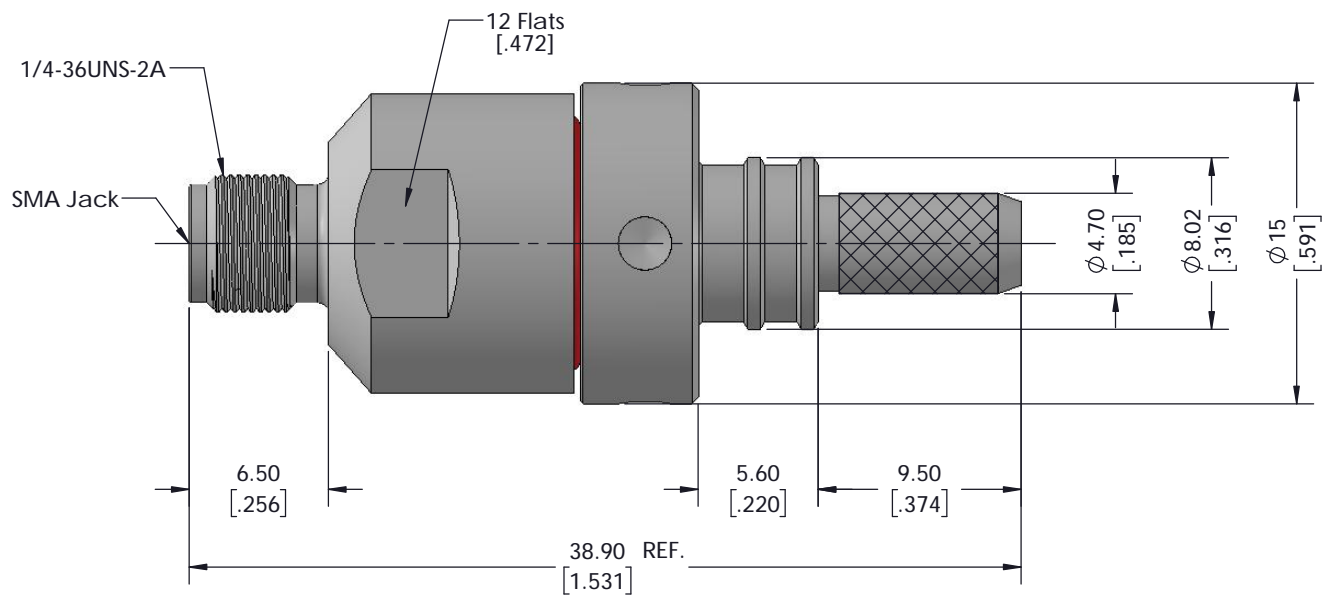


8 7 6 5 4 3 2 1  
 NOTICE OF PROPRIETARY RIGHTS: THIS DOCUMENT CONTAINS CONFIDENTIAL DATA, INCLUDING TRADE SECRETS, PROPRIETARY TO TIMES MICROWAVE SYSTEMS. DISCLOSURE OF THIS DATA IS EXPRESSLY CONDITIONED UPON YOUR ASSENT THAT ITS USE IS LIMITED TO USE WITHIN YOUR COMPANY ONLY. ANY OTHER USE IS STRICTLY PROHIBITED WITHOUT THE PRIOR WRITTEN CONSENT OF TIMES MICROWAVE SYSTEMS.

| VER | Description      | ECN | Name    | Date       |
|-----|------------------|-----|---------|------------|
| A   | Initial Released | N/A | Patrick | 2018/10/20 |
|     |                  |     |         |            |

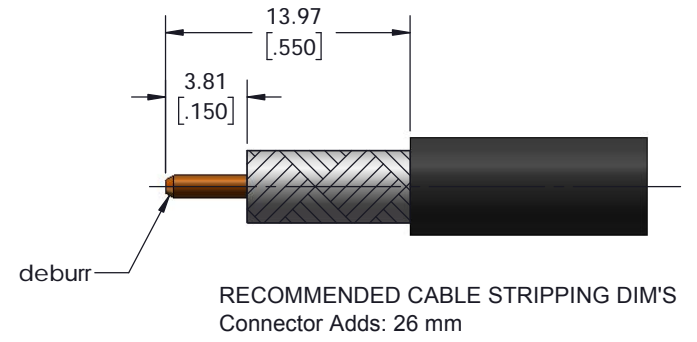


| I. MATERIALS & FINISHES |                  |          |           |
|-------------------------|------------------|----------|-----------|
| Component               | Material         | Finishes | Thk. (u") |
| Body                    | Brass            | Sn-Ni    | 100       |
| Contact Pin             | Beryllium Copper | Gold     | 50        |
| Insulator               | PTFE             | --       | --        |
| Ferrule                 | Brass            | Sn-Ni    | 100       |

| II. ELECTRICAL PROPERTIES                  |                                     |
|--|-------------------------------------|
| Impedance (Ω):                             | 50                                  |
| Frequency Range (GHz):                     | DC~8 GHz                            |
| Dielectric Withstanding Voltage (V r.m.s): | 1000                                |
| Insulation Resistance (MΩ):                | ≥5000                               |
| VSWR:                                      | ≤1.30 (DC~6 GHz)<br>≤1.35 (6~8 GHz) |
| Insertion Loss (dB, f / GHz):              | -0.1 x sqrt (f)                     |

| III. ENVIRONMENTAL PROPERTIES |                                 |
|-------------------------------|---------------------------------|
| Temperature Range:            | -40°C~+125°C                    |
| Thermal Shock:                | MIL-STD-202, Meth. 107, Cond. B |
| Vibration:                    | MIL-STD-202, Meth. 204, Cond. D |
| Shock:                        | MIL-STD-202, Meth. 213, Cond. I |
| Climatic Class:               | IEC 60068 55/155/21             |
| RoHS:                         | Compliant                       |

| IV. MECHANICAL PROPERTIES              |               |
|--|---------------|
| Center Conductor:                      | Spring Finger |
| Outer Conductor:                       | Crimp         |
| Coupling Nut Torque (in-lbs):          | 7.1~9.7       |
| Cable-Connector Retention Force (lbs): | 40            |
| Durability (Cycles):                   | 500           |



- V. Tooling & Accessories**  
 Stripping Tool: 3192-102/CST-195/200  
 Crimping Tool: 3190-667/CT-240/200/195/100  
 Heat Shrink Tube: 3/8"x1" (3:1) 1 pcs

Compatible with Standard: IEC 60169-15

|  |       |                 |  |
|--|-------|-----------------|--|
| <b>UNLESS OTHERWISE SPECIFIED</b>  |       | DFTM Patrick    | <b>TIMES MICROWAVE SYSTEMS</b><br>An Amphenol Company<br><b>EZ-195/200-SF-X</b><br>SMA Female (Jack) Straight Non-Solder Pin No Braid Trim Connector for LMR-195/200 Cable |
| ALL DIMENSIONS ARE IN mm<br>MACHINED SURFACES FINISH 1.6 RMS MAX.<br>REMOVE ALL BURRS 0.15X45° MAX. BREAK<br>MACHINE CORNERS 0.15X45° D MAX. FILLET<br>R. TOLERANCES ON DECIMALS<br>.X ±0.1 .XX ±0.05<br>ANGLES ±2° FRACTIONS ±N/A |       | DATE 2018/10/20 |  |
|  |       | CHKD Monica     |  |
|  |       | DATE 2018/10/20 |  |
|  |       | APPD Joslen     |  |
| Scale:   | 4:1   | Size:           | A3   |
| CODE IDENT   | 68999 | DATE            | 2018/10/20   |
| SHT  | 1/1   | 3190-8002       | REV A  |