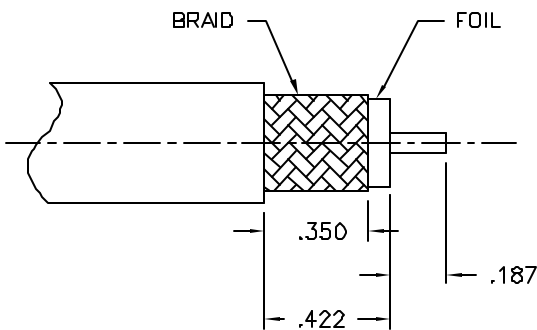
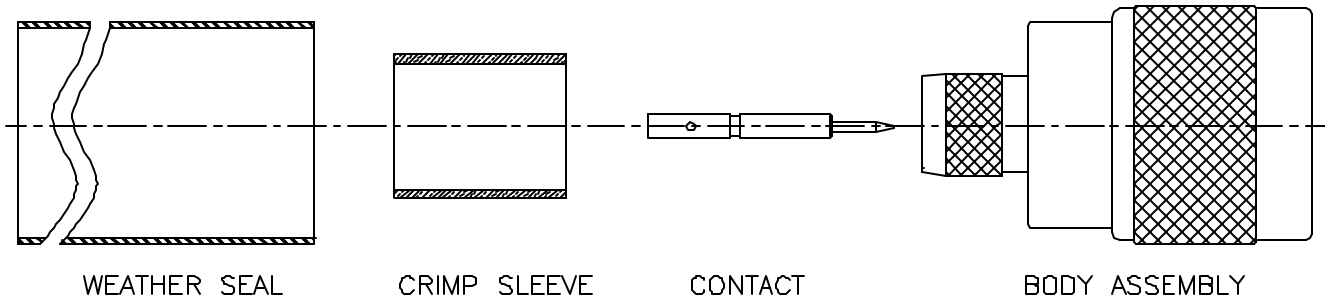


TIMES MICROWAVE SYSTEMS

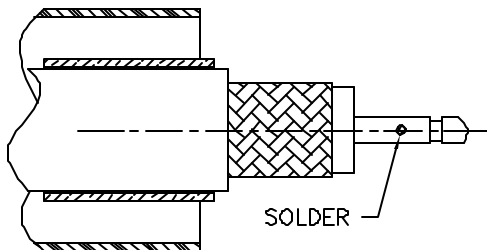
358 Hall Avenue/P.O. Box 5039
Wallingford, CT 06492-5039
Tel: 203-949-8400
FAX: 203-949-8423
1-800-TMS-COAX
www.timesmicrowave.com

INSTALLATION INSTRUCTIONS TC-400-75-NM (3190-389) (Cable Types: LMR-400-75 ULTRAFLEX CABLE)



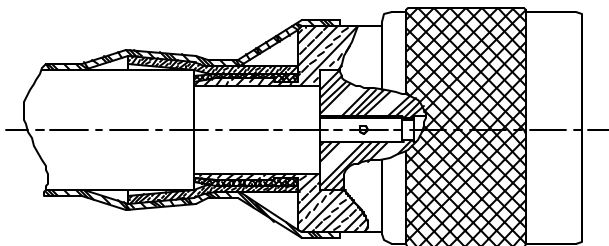
1. A. Trim cable per dimensions shown.

B. Remove any residual plastic from the center conductor and deburr center conductor using a fine file.



2. A. Solder contact to center conductor, making sure back end of contact is flush with trimmed end of cable dielectric.

B. Slide crimp sleeve & shrink sleeve over cable.



3. A. Insert cable into connector until contact snaps into insulator, with all braid wires on the outside connector body and aluminum tape inside connector body.

B. Slide crimp sleeve forward and crimp as close as possible to body using a .429" hex die. Use Times HX-4 crimp tool or equivalent. Do not crimp rear of crimp sleeve.

C. Slide shrink sleeve into place and heat shrink over rear of body with hot air gun.