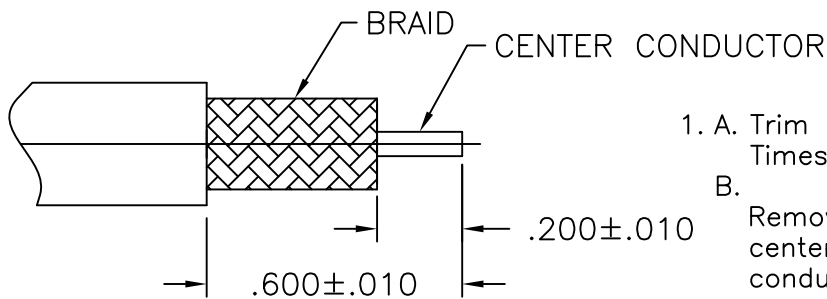
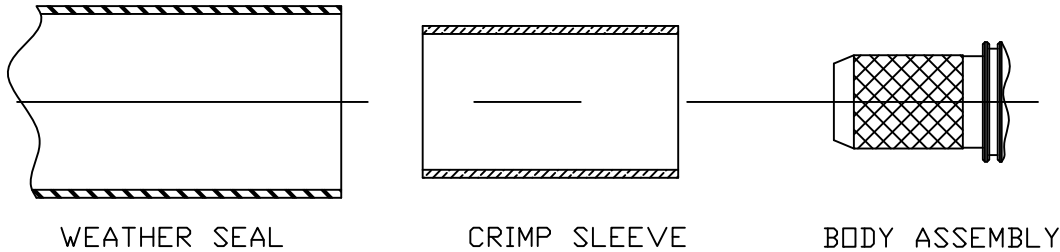


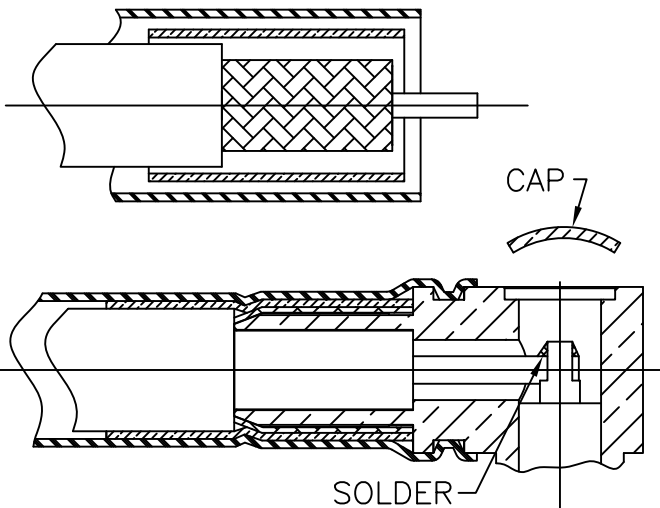
TIMES MICROWAVE SYSTEMS

358 Hall Avenue/P.O. Box 5039
Wallingford, CT 06492-5039
Tel: 203-949-8400
FAX: 203-949-8423
1-800-TMS-COAX
www.timesmicrowave.com

INSTALLATION INSTRUCTIONS TC-240-SM-RA-X (TIMES 3190-2900) (Cable Types: LMR-240)



- A. Trim cable per dimensions shown using Times CST-240A stripping tool.
B. Remove any residual plastic from the center conductor and chamfer center conductor using a Times DBT-U tool.



- A. Slide crimp sleeve and weather seal over cable.
- A. Insert cable into connector until fully seated, with all braided wires on the outside of connector body and aluminum tape inside the connector body. Slide cable forward until center conductor sits in slot in contact.
B. Slide crimp sleeve forward and crimp as close as possible to body using a .255" hex die. Use Times CT-240 crimp tool or equivalent. Do not crimp rear of crimp sleeve.
C. Solder center conductor to contact. Use minimal heat to minimize melting of foam dielectric. Inspect to be sure aluminum foil is not touching center contact. Install access cap.

Heat shrink weather seal over rear of connector body and down onto cable jacket using hot air gun.