

TIMES MICROWAVE SYSTEMS

EZ-600-NMH-RA (stock code: 3190-762)

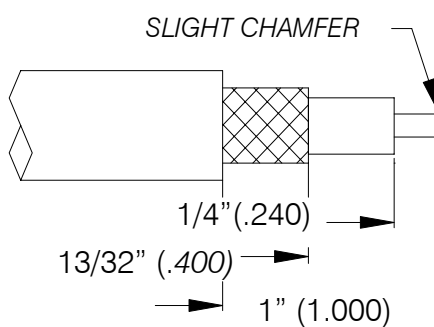
Type N-Male Plug Right Angle

Non-solder center contact

Crimp-on (.610" hex.) outer contact

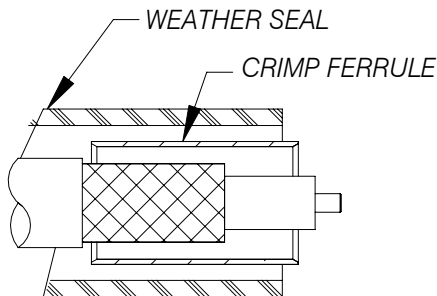
INSTALLATION INSTRUCTIONS

(Cable Types: LMR-600; 600 DB; 600 FR)



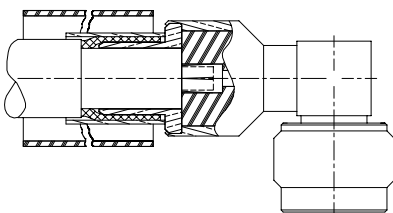
STEP 1

1. (A) Trim cable to dimensions shown using a razor knife or Times ST-600EZ strip tool.
(B) Remove any residual plastic from center conductor.
(C) Deburr center conductor using a fine file or Times DBT-01 tool.



STEP 2

2. (A) Slide weather seal and crimp ferrule over cable.
3. (A) Flare braid and insert cable into connector body until dielectric is seated with braid wires on outside of connector body and aluminum tape inside connector body.
(B) Braid should assemble flush to within 1/16" (.06) of connector shoulder. Trim braid as necessary.
(C) Slide crimp ferrule over braid and crimp as close to body as possible using die indicated in a Times HX-4 crimp tool or equivalent.
Do not crimp rear of crimp ferrule.
(D) Heat shrink weather seal over rear of connector body and down on to cable jacket using hot air gun.



STEP 3