

LTR	DESCRIPTION	DATE	BY
-	Released	3/12/04	JCL



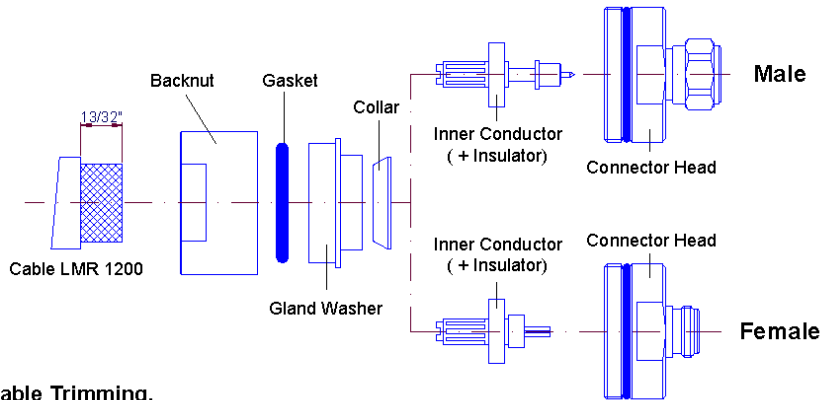
MICROWAVE SYSTEMS

P.O Box 5039
 Wallingford, CT 06492-5039 USA
 Tel. (203) 949-8400
 Fax. (203) 949-8423

**Connector N(male) for cable LMR1200-LLPL
 PN 3190-911 (EZ-1200-NMC-PL)**

OF -----

Made in Brazil



1. **Cable Trimming.**
 - 1.1. Slide backnut and gasket onto cable.
 - 1.2. Trim and remove 13/32" of the cable jacket.
 - 1.3. Slide the gland washer over the cable braids .
 - 1.4. Deburr inner conductor of the cable.

2. **Connector assembly.**
 - 2.1. Open the braid and slide the collar over the foil.
 - 2.2. Slide connector inner conductor into cable inner conductor .
 - 2.3. Push connector head carefully onto cable and screw it rigidly to backnut.

Unless otherwise specified, dimensions are in inches. Tolerances are applicable when specified.

These drawings and specifications contain proprietary information which is the property of Times Microwave Systems.

Approvals		
Drawn	JCL	3/12/04



TIMES MICROWAVE SYSTEMS

Wallingford, CT 06492
 (203) 949-8400; (203) 949-8423.Fax
 www.timesmicrowave.com

**EZ-1200-NMC-PL
 Installation Instructions**

Size A	CAGE CODE 68999	Drawing No.: IN-911
Scale: NA	Rev. (-)	Sheet: 1 of 1