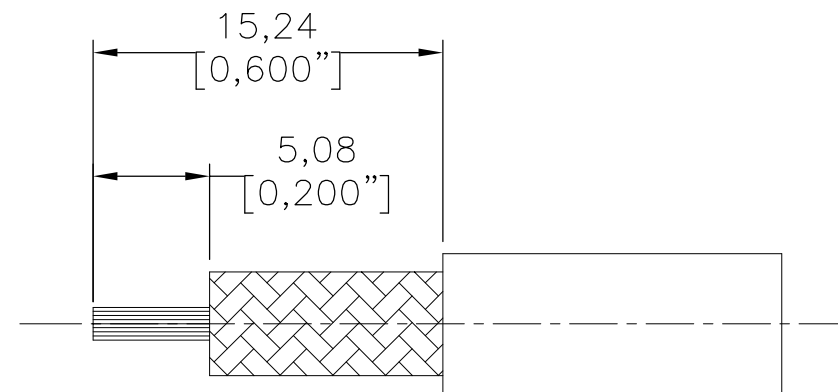
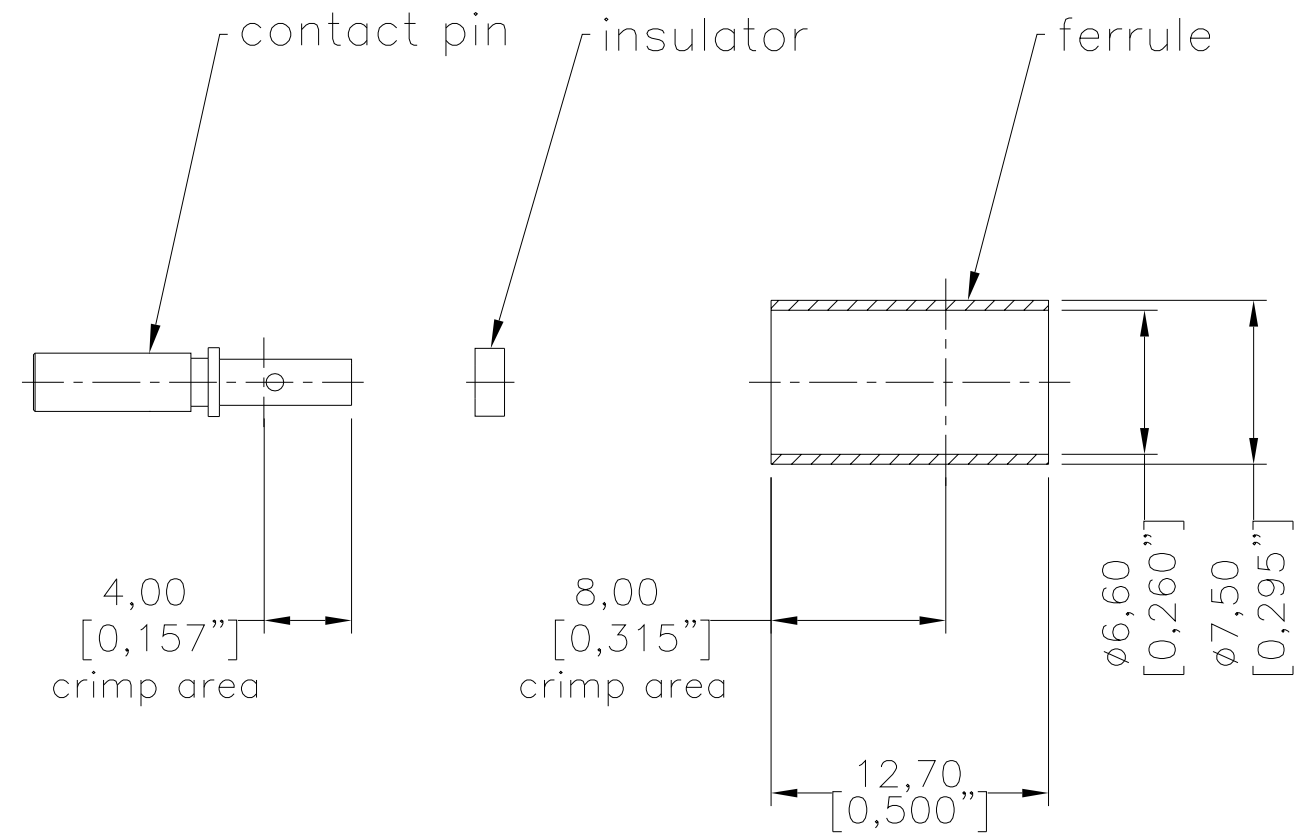
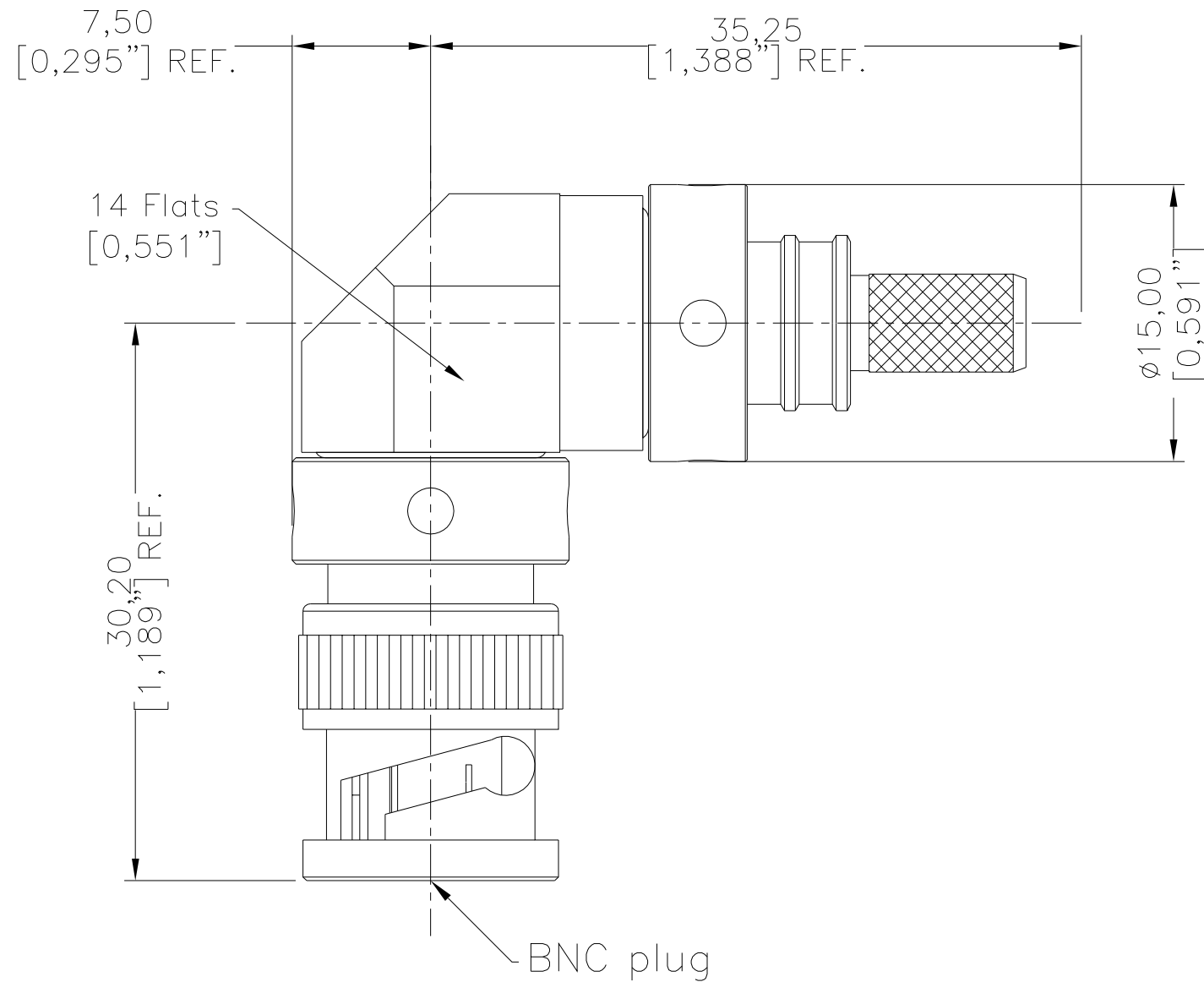


| SYM | REVISION DESCRIPTION | DFTM | DATE | APPD | APPD |
|-----|-------------------------|---------|------------|--------|------------|
| A | RELEASED FOR PRODUCTION | Patrick | 2019/03/30 | Joslen | 2019/03/30 |



RECOMMENDED CABLE STRIPPING DIM'S
 Connector Adds: 17.7 mm

Interface Compatible with Standard:
 IEC 61169-8
 MIL-STD-348

I. MATERIALS & FINISHES

| Components | Materials | Finishes | Thk. (µ") |
|-------------|------------------|----------|-----------|
| Body | Brass | Sn-Ni | 100 |
| Contact Pin | Beryllium Copper | Gold | 50 |
| Insulator | PTFE | -- | -- |
| Shell | Brass | Sn-Ni | 100 |
| Ferrule | Brass | Sn-Ni | 100 |
| Gasket | Silicone Rubber | -- | -- |

II. ELECTRICAL PROPERTIES

| | |
|--------------------------------------|---------|
| Impedance (Ω): | 50 |
| Frequency Range (GHz): | DC-4 |
| Dielectric Withstanding Voltage (V): | 1500 |
| Insulation Resistance (MΩ): | ≥5000 |
| VSWR: for solder center contact | ≤1.35 |
| for crimp center contact | ≤1.40 |
| Insertion Loss(dB, f in GHz): | -0.1x√f |

III. ENVIRONMENT PROPERTIES

| | |
|--------------------|---------------------------------|
| Temperature Range: | -65°C~+165°C |
| Thermal Shock: | MIL-STD 202G, Meth.107, Cond. B |
| Vibration: | MIL-STD 202G, Meth.204, Cond. B |
| Shock: | MIL-STD 202G, Meth.213, Cond. I |
| Climatic Class: | IEC 60068 55/155/21 |
| RoHS: | Compliant |

IV. MECHANICAL PROPERTIES

| | |
|--------------------------------------|--------------|
| Center Contact: | Solder/Crimp |
| Outer Contact: | Crimp |
| Coupling Nut Torque (in.lbs): | 0.6-2.5 |
| Cbl-Connector Retention Force (lbs): | 60 |
| Durability (Cycles): | 500 |

V. TOOLING

| | |
|-------------------|-----------------------|
| Stripping Tool: | N/A |
| Crimping Size | |
| Center Contact: | .068" HEX. |
| Outer Contact: | .255" HEX. |
| Heat Shrink Tube: | 1/2"x1.5" (3:1) 1 pcs |

| | | | |
|-------------|---|-----------------|---|
| MATL: | UNLESS OTHERWISE SPECIFIED | DFTM. Patrick | <p>TC-3116-BM-RA-X BNC Male (Plug) Right Angle Solder/Crimp Pin No Braid Trim Connector for TCA311601 Cable</p> |
| USED ON: O | ALL DIMENSIONS ARE IN mm MACHINED SURFACES FINISH 1.6 RMS MAX. REMOVE ALL BURRS 0.15X45° MAX. BREAK MACHINE CORNERS 0.15X45° D MAX. FILLET R. TOLERANCES ON DECIMALS .X ±0.3 .XX ±0.15 ANGLES ±2° FRACTIONS ± N/A | DATE 2019/03/30 | |
| SCALE: N/A | DO NOT SCALE DRAWING | CHKD Monica | |
| DWG SIZE A3 | | DATE 2019/03/30 | |
| | CODE INFNT 68999 | APPD Joslen | DATE 2019/03/30 |
| | | SHT 1/1 | 3190-8088 |
| | | REV A | |