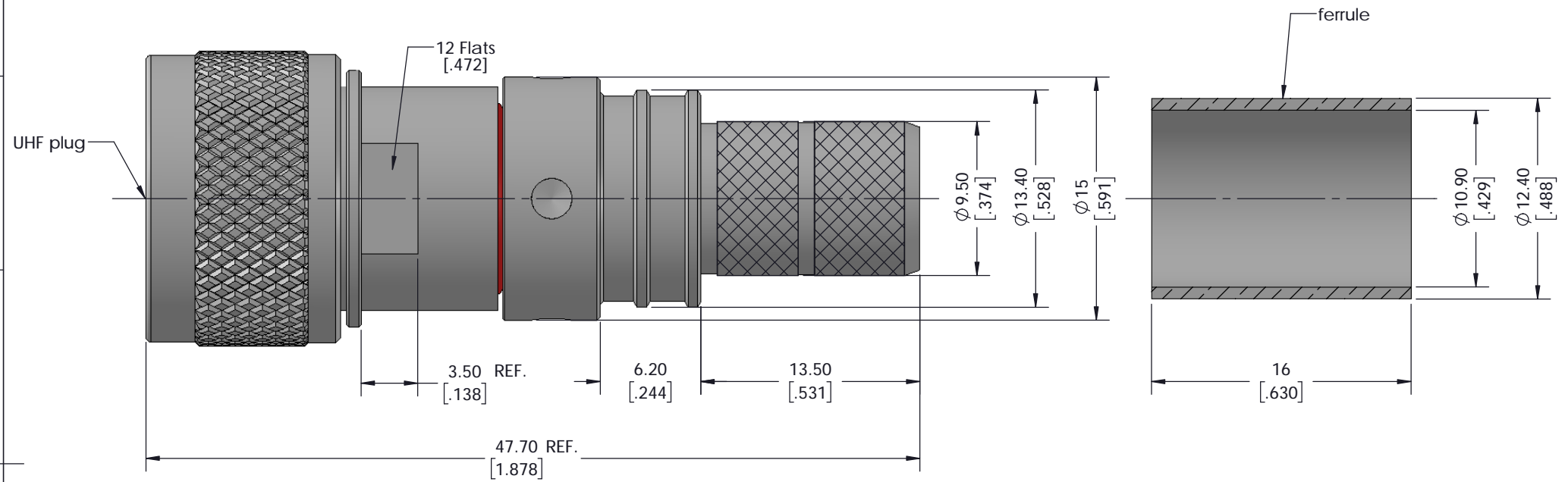


VER	Description	ECN	Name	Date
A	Initial Released	N/A	Patrick	2018/10/20



**I. MATERIALS & FINISHES**

Component	Material	Finishes	Thk. (u")
Body	Brass	Sn-Ni	100
Contact Pin	Phosphor Bronze	Silver	200
Insulator	PTFE	--	--
Coupling Nut	Brass	Sn-Ni	100
Ferrule	Copper	Sn-Ni	100

**II. ELECTRICAL PROPERTIES**

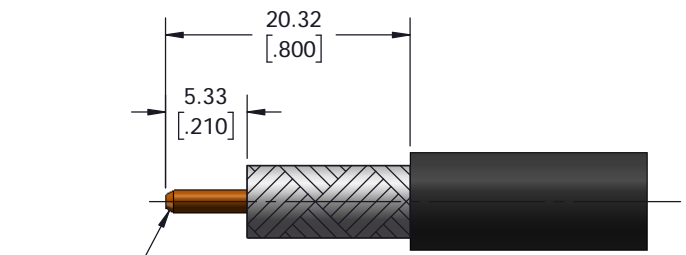
Impedance ( $\Omega$ ):	50
Frequency Range (GHz):	DC~3 GHz
Dielectric Withstanding Voltage (V r.m.s.):	2000
Insulation Resistance (M $\Omega$ ):	$\geq 10000$
VSWR:	$\leq 1.30$ (DC~2.45 GHz)
Insertion Loss (dB, f / GHz):	-0.1 x sqrt (f)

**III. ENVIRONMENT PROPERTIES**

Temperature Range:	-40°C~+125°C
Thermal Shock:	MIL-STD-202, Meth. 107, Cond. B
Vibration:	MIL-STD-202, Meth. 204, Cond. B
Shock:	MIL-STD-202, Meth. 213, Cond. G
Climatic Class:	IEC 60068 55/155/21
RoHS:	Compliant

**IV. MECHANICAL PROPERTIES**

Center Conductor:	Spring Finger
Outer Conductor:	Crimp
Coupling Nut Torque (in-lbs):	N/A
Cable-Connector Retention Force (lbs):	120
Durability (Cycles):	500



RECOMMENDED CABLE STRIPPING DIM'S  
 Connector Adds: 28.5 mm

Compatible with Standard: IEC 60169-12

**V. Tooling & Accessories**

- Stripping Tool: 3192-004/CST-400
- Crimping Tool: 3190-666/CT-400/300
- Heat Shrink Tube: 3/4"x2" (3:1) 1 pcs

UNLESS OTHERWISE SPECIFIED				DFTM	Patrick
ALL DIMENSIONS ARE IN mm MACHINED SURFACES FINISH 1.6 RMS MAX. REMOVE ALL BURRS 0.15X45° MAX. BREAK MACHINE CORNERS 0.15X45° D MAX. FILLET R. TOLERANCES ON DECIMALS .X $\pm 0.1$ .XX $\pm 0.05$ ANGLES $\pm 2^\circ$ FRACTIONS $\pm N/A$				DATE	2018/10/20
				CHKD	Monica
				DATE	2018/10/20
				APPD	Joslen
Scale:	4:1	Size:	A3	CODE IDENT	68999
DATE	2018/10/20	SHT	1/1	3190-8025	REV A



**EZ-400-UM-X**  
 UHF Male (Plug) Straight Non-Solder  
 Pin No Braid Trim Connector for LMR-400 Cable