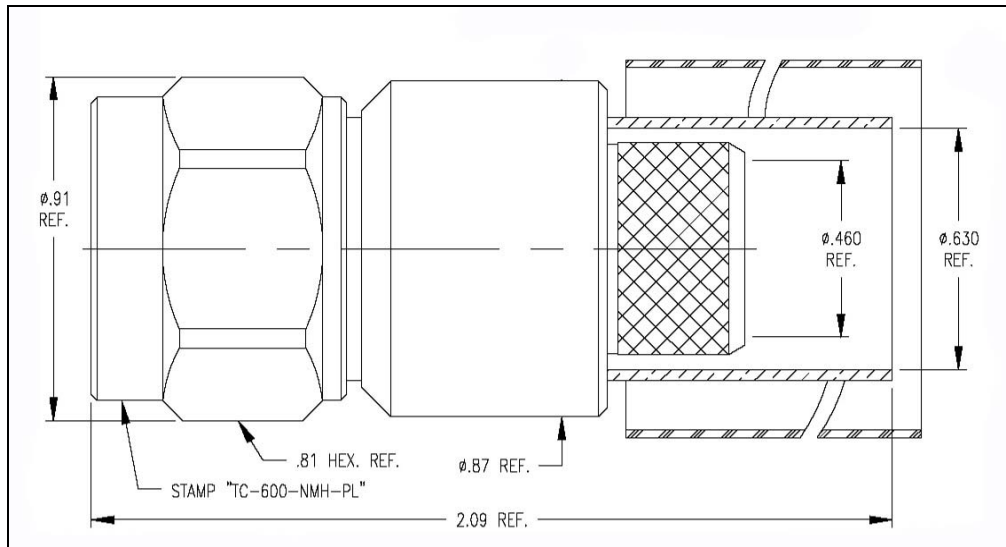


| LTR | DESCRIPTION | DATE     | BY  |
|-----|-------------|----------|-----|
| -   | Released    | 12/29/98 | JCL |
|     |             |          |     |



**I. MATERIALS & FINISHES**

- center contact: Gold Plated Brass
- outer contact: Silver Plated Brass
- coupling nut: Silver Plated Brass
- body: Silver Plated Brass
- crimp sleeve: Silver Plated Copper
- dielectric: Teflon® PTFE
- gasket: Silicone Rubber
- shrink sleeve: Adhesive Lined Polyolefin
- attachment: braid crimp (.610"hex)

**II. ELECTRICAL PROPERTIES**

- impedance: 50 ohms
- working voltage: 1000 vrms (max)
- vswr: 1.25:1 (max) up to 3 GHz
- insertion loss: 0.10 x √Fghz

Unless otherwise specified, dimensions are in inches. Tolerances are applicable when specified.

These drawings and specifications contain proprietary information which is the property of Times Microwave Systems.

| Approvals |     |          |
|-----------|-----|----------|
| Drawn     | JCL | 12/29/98 |
|           |     |          |
|           |     |          |
|           |     |          |



**TIMES MICROWAVE SYSTEMS**

Wallingford, CT 06492  
 (203) 949-8400; (203) 949-8423.Fax  
 www.timesmicrowave.com

**TC-600-NMH-PL**

Type-N male (plug)  
 for LMR-600-LLPL Cable

|           |                           |                                 |
|-----------|---------------------------|---------------------------------|
| Size A    | CAGE CODE<br><b>68999</b> | Drawing No.:<br><b>3190-760</b> |
| Scale: NA | Rev. (-)                  | Sheet: 1 of 1                   |