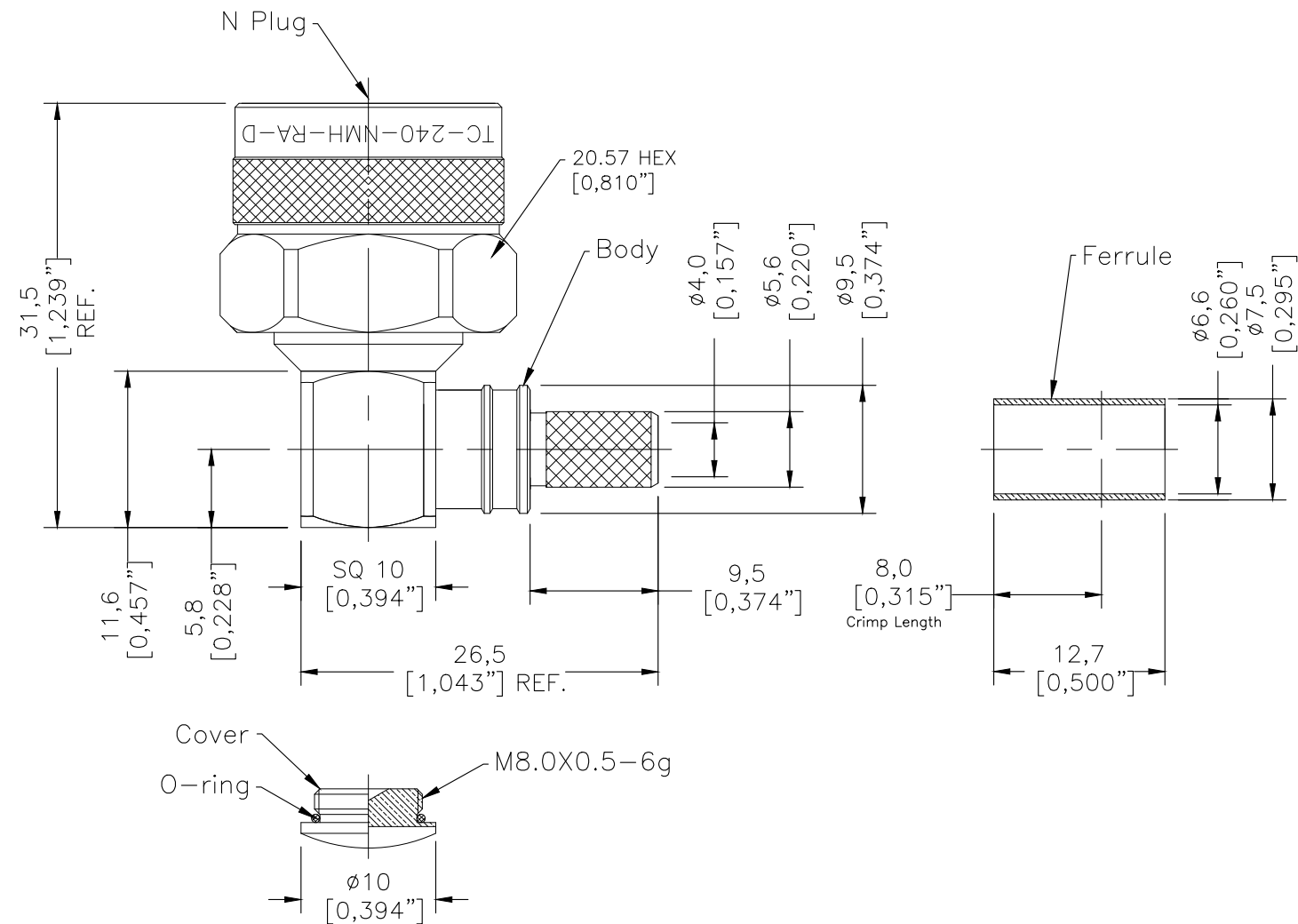


SYM	REVISION DESCRIPTION	DFTM	DATE	APPD	APPD
A	RELEASED FOR PRODUCTION	Monica	2018.11.22	Joslen	2018.11.22
B	Internal design changed for process improvement	Robert	2/26/2021	Tony	2/26/2021



I. MATERIALS & FINISHES

Components	Materials	Finishes	Thk. (μ")
Body	Brass	Albaloy	80
Center Cont.	Brass	Gold	50
Ferrule	Brass	Albaloy	80
Nut	Brass	Albaloy	80
Insulator	PTFE	--	--
Gasket	Silicone	--	--

II. ELECTRICAL PROPERTIES

Impedance (Ω):	50
Frequency Range (GHz):	DC to 6 GHz
Dielectric Withstanding Voltage (V):	1000
Insulation Resistance (MΩ):	≥5000
VSWR:	≤1.30
Insertion Loss(dB, f/GHz):	-0.1x √f

III. ENVIRONMENT PROPERTIES

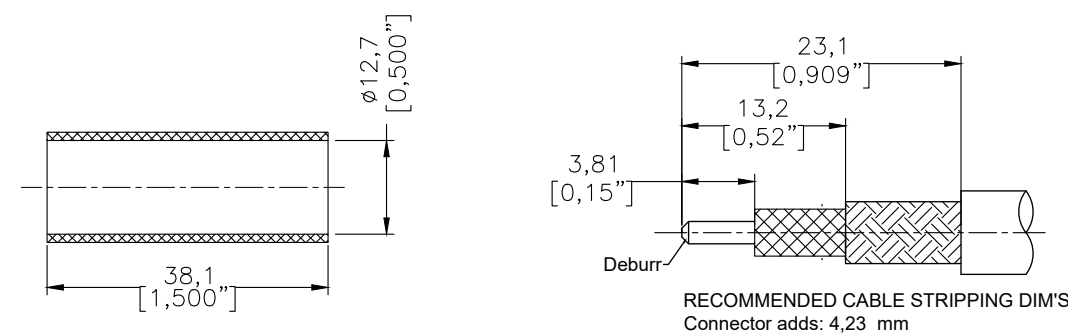
Temperature Range:	-40°C~+125°C
Thermal Shock:	MIL-STD 202G, Meth.107, Cond.B
Vibration:	MIL-STD 202G, Meth.204, Cond.B
Shock:	MIL-STD 202G, Meth.213, Cond I
Climatic Class:	IEC 60068 55/155/21
(2002/95/EC)RoHS:	Compliant

IV. MECHANICAL PROPERTIES

Center Cont.:	Solder
Outer Cont.:	Crimp
Coupling Nut Torque (in.lbs):	9-14
Cbl-Connector Retention Force (lbs):	60
Durability (cycles):	500


V. TOOLING

Crimping Tool: 3190-667/CT-240/200/100



Shrink Tube (1/2"x1.5" 3:1)

Compatible with Standard: IEC 61169-16

MATERIAL:	UNLESS OTHERWISE SPECIFIED		DFTM.	Monica	
	ALL DIMENSIONS ARE IN mm MACHINED SURFACES FINISH 1.6 RMS MAX. REMOVE ALL BURRS 0.15X45° MAX. BREAK MACHINE CORNERS 0.15X45° D MAX. FILLET R. TOLERANCES ON DECIMALS .X ±0.3 .XX ±0.15 ANGLES ±2° FRACTIONS ± N/A		DATE	2018.11.22	
	USED ON: O		CHKD	Patrick	
	SCALE: N/A DWG SIZE A4		DATE	2018.11.22	
DO NOT SCALE DRAWING		CODE IDENT	68999	APPD	Joslen
		DATE	2018.11.22	DATE	2018.11.22
		1 OF 1		3190-6549	
				REV B	

TC-240-NMH-RA-D
Type N Male (Plug) Right Angle
Solder Pin Connector
for LMR-240 Cable