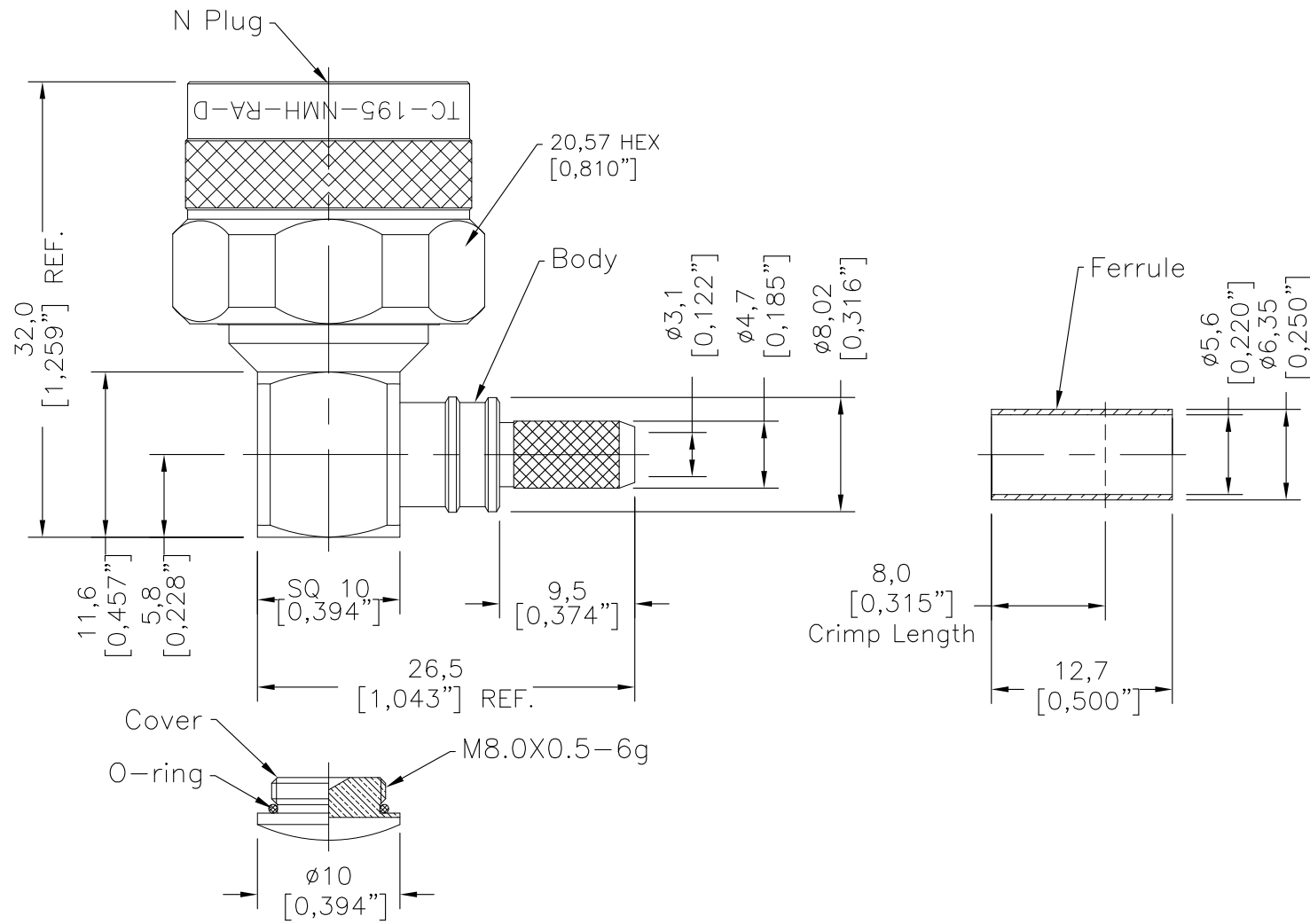


SYM	REVISION DESCRIPTION	DFTM	DATE	APPD	APPD
A	RELEASED FOR PRODUCTION	Monica	2018.11.23	Joslen	2018.11.23



I. MATERIALS & FINISHES

Components	Materials	Finishes	Thk. (μ")
Body	Brass	Albaloy	80
Center Cont.	Brass	Gold	50
Ferrule	Brass	Albaloy	80
Nut	Brass	Albaloy	80
Insulator	PTFE	--	--
Gasket	Silicone	--	--

III. ENVIRONMENT PROPERTIES

Temperature Range:	-40°C~+125°C
Thermal Shock:	MIL-STD 202G, Meth.107, Cond.B
Vibration:	MIL-STD 202G, Meth.204, Cond.B
Shock:	MIL-STD 202G, Meth.213, Cond I
Climatic Class:	IEC 60068 55/155/21
RoHS:	Compliant

V. TOOLING

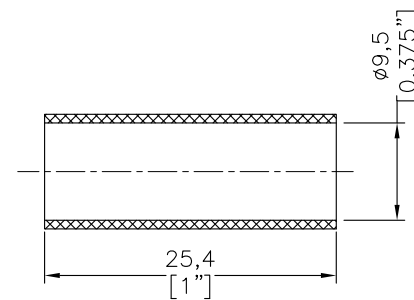
Crimping Tool: 3190-667/CT-240/200/100

II. ELECTRICAL PROPERTIES

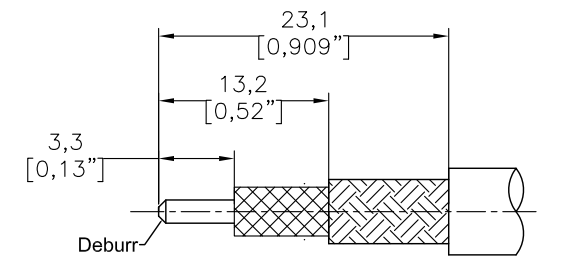
Impedance (Ω):	50
Frequency Range (GHz):	DC to 6 GHz
Dielectric Withstanding Voltage (V):	1000
Insulation Resistance (MΩ):	≥5000
VSWR:	≤1.30
Insertion Loss(dB, f/GHz):	-0.1x √f

IV. MECHANICAL PROPERTIES

Center Cont.:	Solder
Outer Cont.:	Crimp
Coupling Nut Torque (in.lbs):	9-14
Cbl-Connector Retention Force (lbs):	40
Durability (cycles):	500




Shrink Tube (3/8"x1" 3:1)



RECOMMENDED CABLE STRIPPING DIM'S
Connector adds: 4.25 mm

Compatible with Standard: IEC 61169-16

MATL:	UNLESS OTHERWISE SPECIFIED	DFTM.	Monica		
USED ON: O	ALL DIMENSIONS ARE IN mm MACHINED SURFACES FINISH 1.6 RMS MAX. REMOVE ALL BURRS 0.15X45° MAX. BREAK MACHINE CORNERS 0.15X45° D MAX. FILLET R. TOLERANCES ON DECIMALS .X ±0.3 .XX ±0.15 ANGLES ±2° FRACTIONS ± N/A	DATE	2018.11.23		
SCALE: N/A DWG SIZE A4		CHKD	Patrick		
		DATE	2018.11.23		
		APPD	Joslen		
	DO NOT SCALE DRAWING	DATE	2018.11.23	TC-195-NMH-RA-D Type N Male (Plug) Right Angle Solder Pin Connector for LMR-195 Cable	
	CODE IDENT	68999	DATE	2018.11.23	1 OF 1 3190-6542
				S H T R E V A	