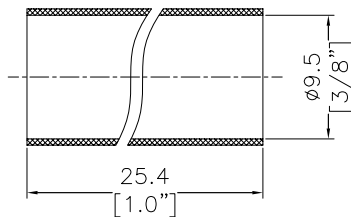
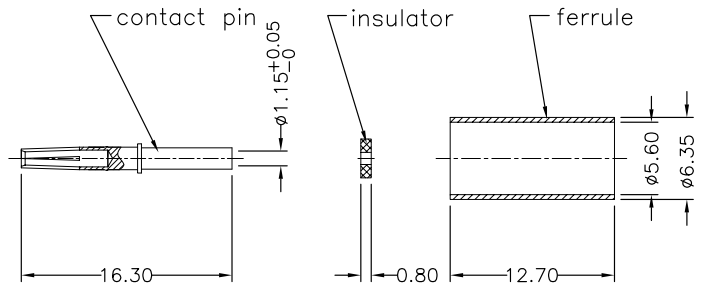
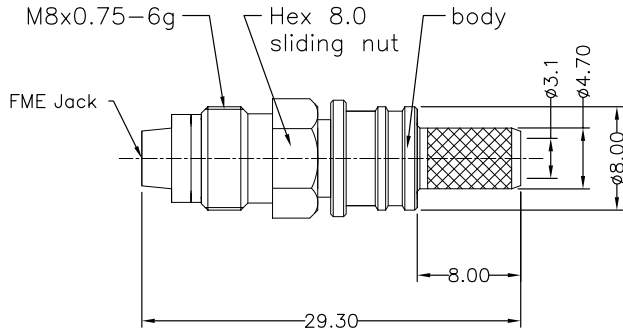
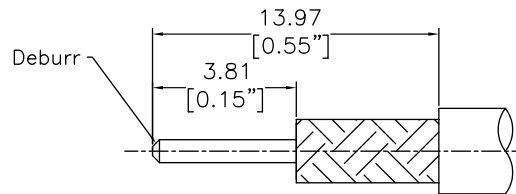


NOTICE OF PROPRIETARY RIGHTS THIS DOCUMENT CONTAINS CONFIDENTIAL DATA, INCLUDING TRADE SECRETS, PROPRIETARY TO TIMES MICROWAVE SYSTEMS. DISCLOSURE OF THIS DATA IS EXPRESSLY CONDITIONED UPON YOUR ASSENT THAT ITS USE IS LIMITED TO USE WITH YOUR COMPANY ONLY. ANY OTHER USE IS STRICTLY PROHIBITED WITHOUT THE PRIOR WRITTEN CONSENT OF TIMES MICROWAVE SYSTEMS.

SYM	REVISION DESCRIPTION	DFTM	DATE	APPD	APPD
A	RELEASED FOR PRODUCTION	Joslen	2016.01.20	TZ	2016.01.20



Heat Shrink Tube



RECOMMENDED CABLE STRIPPING DIM'S
Connector adds: 17.1 mm

I. MATERIALS & FINISHES

Components	Materials	Finishes	Thk. (μ")
Body	Brass	Albaloy	80
Center Cont.	QBe2	Gold	50
Sliding Nut	Brass	Albaloy	80
Body	Brass	Albaloy	80
Insulator	PTFE	--	--

II. ELECTRICAL PROPERTIES

Impedance (Ω):	50
Frequency Range (GHz):	DC to 2 GHz
Working Voltage (V):	500
Insulation Resistance (MΩ):	≥5000
VSWR:	≤1.25 (0-1 GHz) ≤1.50 (0-2 GHz)
Insertion Loss(dB, f/GHz):	-0.1x √f

III. ENVIRONMENT PROPERTIES

Temperature Range:	-55°C~+125°C
Thermal Shock:	MIL-STD 202G, Meth.107, Cond.B
Vibration:	MIL-STD 202G, Meth.204, Cond.B
Shock:	MIL-STD 202G, Meth.213, Cond I
Climatic Class:	IEC 60068 55/155/56
(2002/95/EC)RoHS:	Compliant


IV. MECHANICAL PROPERTIES

Center Cont.:	Solder
Outer Cont.:	Crimp
Coupling Nut Torque (N.m):	1.2
Cbl-Connector Retention Force (N):	100
Climatic Class:	IEC 60068 55/155/56
Durability (cycles):	500

V. TOOLING

Stripping Tool: 3192-102/CST-195/200
Crimping Tool: 3192-200/3190-610

According to Standard: N/A

MATERIAL: UNLESS OTHERWISE SPECIFIED	DFTM. Joslen		 TC-200-FMEF-X FME Female (Jack) Straight Solder Pin No Braid Trim Connector for LMR-200 Cable					
	DATE 2016.01.20							
	CHKD KG							
	DATE 2016.01.20							
USED ON: O	ALL DIMENSIONS ARE IN mm MACHINED SURFACES FINISH 1.6 RMS MAX. REMOVE ALL BURRS 0.15X45° MAX. BREAK MACHINE CORNERS 0.15X45° D MAX. FILLET R. TOLERANCES ON DECIMALS .X ±0.3 .XX ±0.15 ANGLES ±2° FRACTIONS ± N/A		APPD TZ					
SCALE: N/A	DWG SIZE A4	DO NOT SCALE DRAWING	CODE IDENT	68999	DATE 2016.01.20	SHEET 1 OF 1	3190-6249	REV A