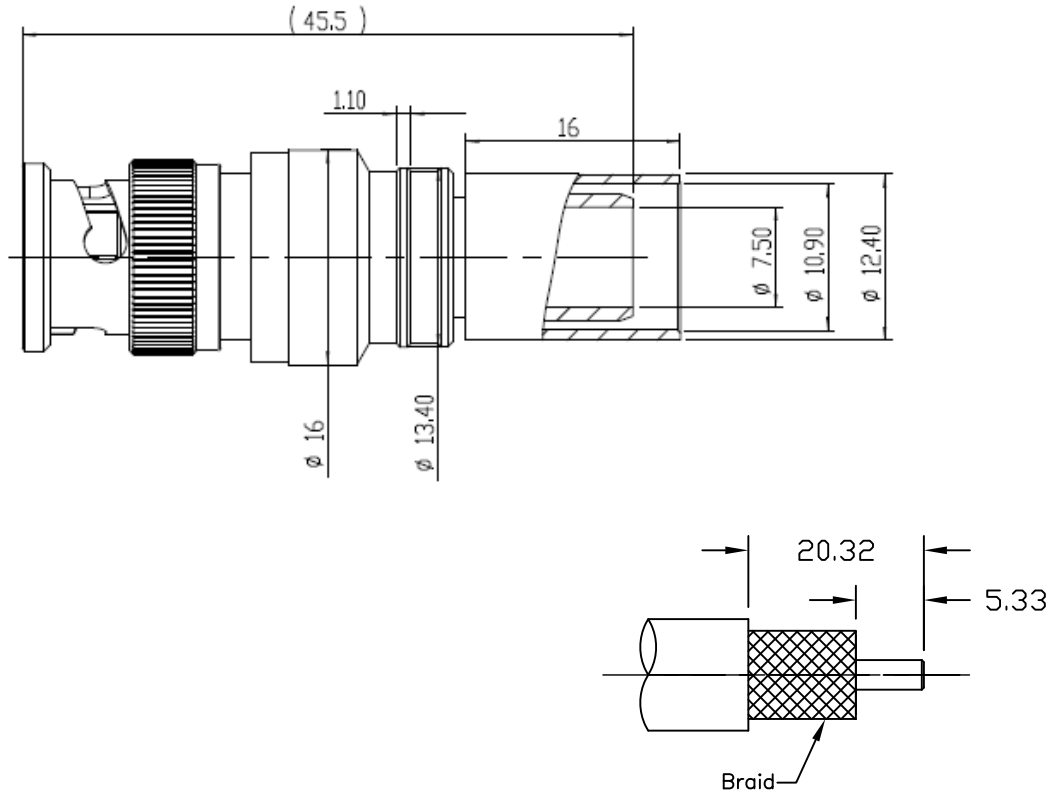


NOTICE OF PROPRIETARY RIGHTS THIS DOCUMENT CONTAINS CONFIDENTIAL TECHNICAL DATA, INCLUDING TRADE SECRETS, PROPRIETARY TO TIMES MICROWAVE SYSTEMS. DISCLOSURE OF THIS DATA IS EXPRESSLY CONDITIONED UPON YOUR ASSENT THAT ITS USE IS LIMITED TO USE WITHIN YOUR COMPANY ONLY. ANY OTHER USE IS STRICTLY PROHIBITED WITHOUT THE PRIOR WRITTEN CONSENT OF TIMES MICROWAVE SYSTEMS.

SYM	REVISION DESCRIPTION	DFTM	DATE	APPD	DATE
A	RELEASED FOR PRODUCTION	N.N.N	8/6/13	J.D.B.	8/9/13



Reference standard IEC60169-8

I. Electric Performance
 Nominal Impedance(Ω): 50
 Frequency Range: DC-4GHz
 VSWR: ≤ 1.35
 Insert Loss: ≤ 0.1
 Insulation resistance ($M\Omega$): 25000
 Withstand voltage (V): 1500
 Conductor resistance ($m\Omega$):
 outer conductor < 0.4
 inner conductor < 1.5

II. Mechanical Performance
 Tensile force(cable-connect): 400N
 Torsion(cable-connect): 2N.m

III. Material and plating:

Component	Material	Plating
inner conductor	Spring copper	Au 1.27um
outer conductor	Brass	Copper-tin-zinc 2um
insulator	PTFE	
o-ring	Silicone rubber	

IV. Environment

Temp.range: -55°C~+155°C
 Weather standard: IEC 60068 55 / 155/ 56
 Thermal shock: US MIL-STD 202,Meth.107,Cond.B
 Vibration: US MIL-STD 202,Meth.204,Cond.B
 Shock: US MIL-STD 202,Meth.213,Cond.I
 ROHS compliant

V. Assemble: inner conductor installed and outer conductor crimped

MATL:	UNLESS OTHERWISE SPECIFIED		DFTM: N, N, N	TIMES MICROWAVE SYSTEMS			
	ALL DIMENSIONS ARE IN mm MACHINED SURFACES FINISH N/A RMS MAX. REMOVE ALL BURRS N/A MAX. BREAK MACHINE CORNERS N/A MAX. FILLET R. TOLERANCES ON DECIMALS . XX \pm N/A . XXX \pm N/A ANGLES \pm N/A FRACTIONS \pm N/A		DATE: 8/6/13				
USED ON: ~			CHKD: J, D, B,	EZ-400-BM-X BNCM for LMR-400			
			DATE: 8/9/13				
SCALE: N/A	DWG. SIZE: A	DO NOT SCALE DRAWING	CODE IDENT: 68999	DATE: 8/9/13	SH: 1 of 1	SD3190-2852	REV: A