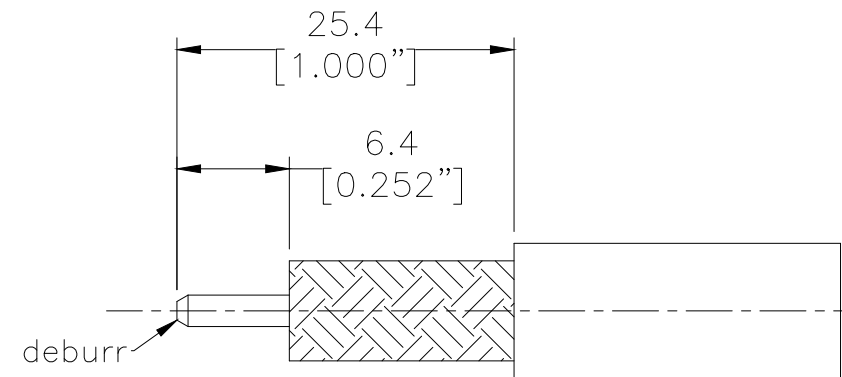
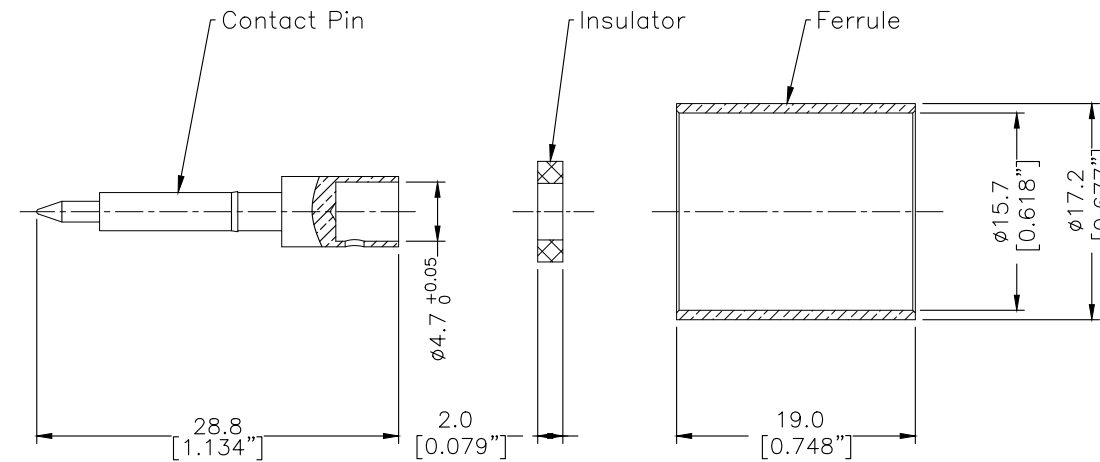
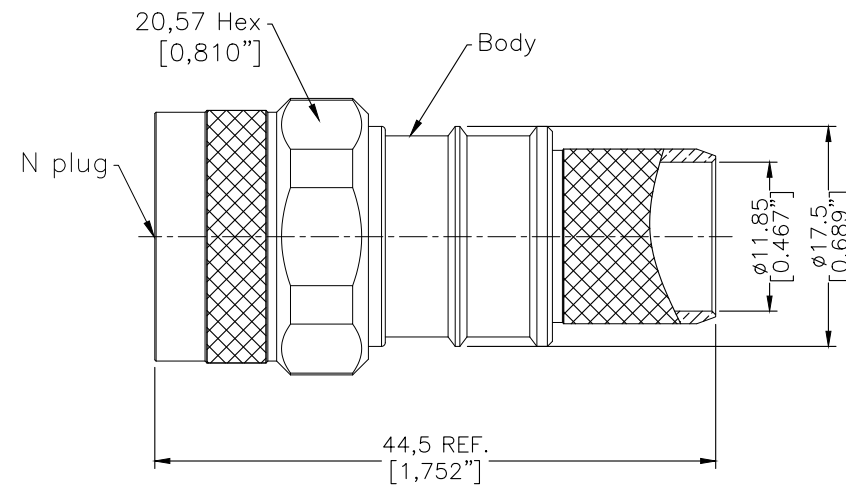


NOTICE OF PROPRIETARY RIGHTS THIS DOCUMENT CONTAINS CONFIDENTIAL DATA, INCLUDING TRADE SECRETS, PROPRIETARY TO TIMES MICROWAVE SYSTEMS. DISCLOSURE OF THIS DATA IS EXPRESSLY CONDITIONED UPON YOUR ASSENT THAT ITS USE IS LIMITED TO USE WITHIN YOUR COMPANY ONLY. ANY OTHER USE IS STRICTLY PROHIBITED WITHOUT THE PRIOR WRITTEN CONSENT OF TIMES MICROWAVE SYSTEMS.

SYM	REVISION DESCRIPTION	DFTM	DATE	APPD	DATE
A	RELEASED FOR PRODUCTION	D.J.H	2019/04/19	J.D.B	2019/04/19
B	CHANGED PER CDC#36735	N.N.N	2013/04/08	N.N.N	2013/04/08
C	CHANGED PER ECN-2020-01-006	Monica	2020/01/20	Tony.Z	2020/01/20
D	CHANGED PER ECN-2020-04-001	Monica	2020/04/07	Tony.Z	2020/04/07
E	CHANGED PER ECN-2021-2-002	Robert	2021/03/01	Tony.Z	2021/03/01



RECOMMENDED CABLE STRIPPING DIM'S
Connector Adds: 13.7 mm

Interface Compatible with Standard:
IEC 61169-16
MIL-STD-348

I. MATERIALS & FINISHES

Components	Materials	Finishes & Thk. (µm)
Body	Brass	Albaloy 2
Contact Pin	Brass	Copper1 HNi3 Gold1.3
Insulator	PTFE	-- --
Coupling Nut	Brass	Albaloy 2
Ferrule	Copper	Albaloy 2
Gasket	Silicone Rubber	-- --

II. ELECTRICAL PROPERTIES

Impedance:	50 Ω
Frequency Range:	DC to 6 GHz
Dielectric Withstanding Voltage:	2500 V rms
Insulation Resistance:	≥5000 MΩ
VSWR: DC to 6 GHz	≤1.30
Insertion Loss:	-0.1x√f(GHz) dB

III. ENVIRONMENTAL PROPERTIES


Temperature Range:	-40°C to +125°C
Thermal Shock:	MIL-STD-202, Meth.107, Cond. B
Vibration:	MIL-STD-202, Meth.204, Cond. D
Shock:	MIL-STD-202, Meth.213, Cond. I
Climatic Class:	IEC 60068 55/155/21
RoHS:	Compliant

IV. MECHANICAL PROPERTIES

Center Contact:	Solder
Outer Contact:	Crimp
Coupling Nut Torque:	6-10 in.lbs
Cbl-Connector Retention Force:	400N
Durability:	500 Cycles

V. TOOLINGS & ACCESSORIES

Stripping Tool:	3192-052/ CST-600
Crimping Tool:	3192-170/ CT-600
Heat Shrink Tube:	1"x2" (3:1) 1 pcs
WSB Boot Option:	3109-401/ WSB-600

UNLESS OTHERWISE SPECIFIED		DFTM.	D.J.H	 TC-600-NMH-X Type N Male (Plug) Straight Solder Pin No Braid Trim Connector for LMR-600 Cable							
ALL DIMENSIONS ARE IN mm MACHINED SURFACES FINISH 1.6 RMS MAX. REMOVE ALL BURRS 0.15X45° MAX. BREAK MACHINE CORNERS 0.15X45° D MAX. FILLET R. TOLERANCES ON DECIMALS .X ±0.15 .XX ±0.1 ANGLES ±2° FRACTIONS ± N/A		DATE	2011/08/09								
		CHKD	J.D.B								
		DATE	2011/08/16								
		APPD	J.D.B								
SCALE:	N/A	DWG SIZE:	A3	DO NOT SCALE DRAWING	DATE	2011/08/16	SHT	1/1	3190-2628	REV	E