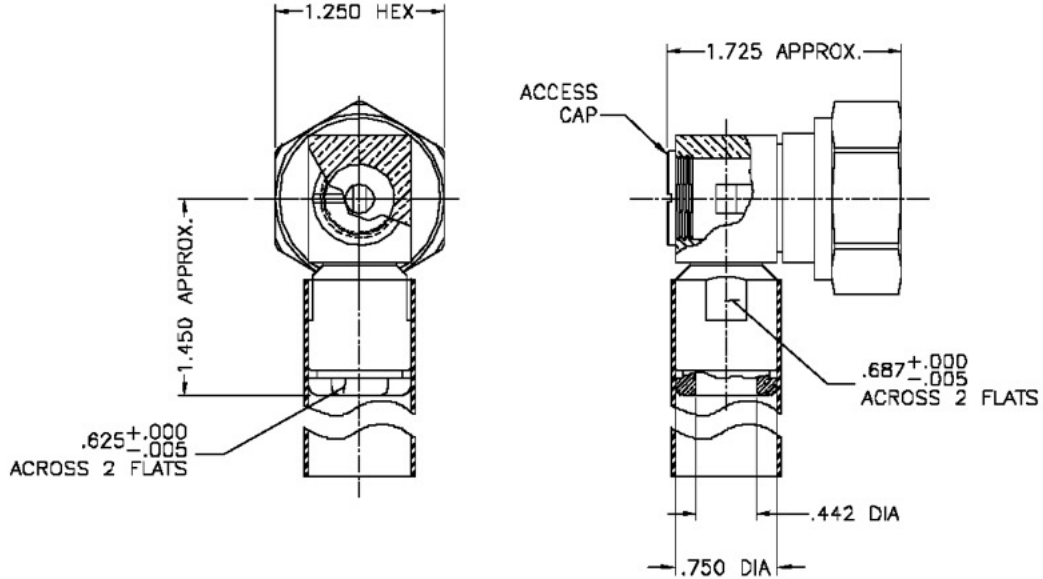


LTR	DESCRIPTION	DATE	BY
-	Released	3/12/04	JCL
A	RoHS Compliant	1/1/06	JCL



**I. MATERIALS & FINISHES**

- center contact: Silver Plated Brass
- outer contact: Alballoy Plated Brass
- body: Alballoy Plated Brass
- other metal parts: Alballoy Plated Brass
- gasket: Silicone Rubber
- dielectric: Teflon® PTFE
- shrink sleeve: Adhesive Lined Polyolefin
- attachment: braid clamp

**II. ELECTRICAL PROPERTIES**

- impedance: 50 ohms
- working voltage: 2700 vrms (max)
- vswr: 1.25:1 (max) up to 3 GHz
- insertion loss: 0.15 x √Fghz

Unless otherwise specified, dimensions are in inches. Tolerances are applicable when specified.

These drawings and specifications contain proprietary information which is the property of Times Microwave Systems.

Approvals		
Drawn	JCL	3/12/04



**TIMES MICROWAVE SYSTEMS**

Wallingford, CT 06492  
 (203) 949-8400; (203) 949-8423.Fax  
 www.timesmicrowave.com

**TC-400-716MC-RA**

Clamp Type-716 male Right Angle (RoHS Compliant)  
 for LMR-400 Cable

Size A	CAGE CODE <b>68999</b>	Drawing No.: <b>3190-1671</b>
--------	---------------------------	----------------------------------

Scale: NA	Rev. (A)	Sheet: 1 of 1
-----------	----------	---------------