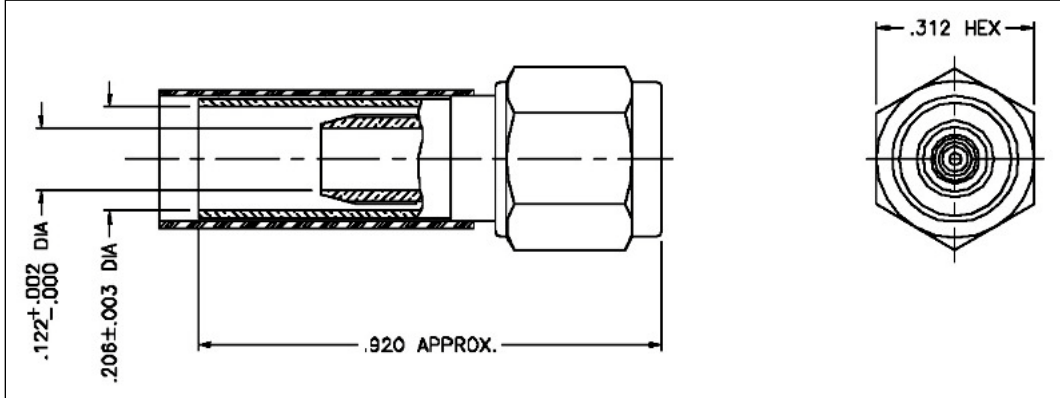


THE REVISION STATUS OF ALL SHEETS OF THIS DRAWING IS THE SAME AS SHEET 1

LTR	DESCRIPTION	DATE	BY
-	Released	8/20/03	JCL
A	Changed Per CDC 37206	3/26/13	JDB



I. MATERIALS & FINISHES

- center contact: Gold Plated Brass (solder-pin)
- outer contact: Stainless Steel
- body: Stainless Steel
- coupling nut: Stainless Steel
- crimp sleeve: Nickel Plated D.H.P. Copper CDA Alloy 122
- dielectric: Teflon® PTFE
- gasket: Silicone Rubber
- shrink sleeve: Adhesive Lined Polyolefin
- attachment: braid crimp (.213" hex)

II. ELECTRICAL PROPERTIES

- impedance: 50 ohms
- working voltage: 750 vrms (max)
- vswr: 1.25:1 (max) up to 2.5 GHz
- insertion loss: 0.10 x √Fghz

Unless otherwise specified, dimensions are in inches. Tolerances are applicable when specified.

These drawings and specifications contain proprietary information which is the property of Times Microwave Systems.

Approvals		
Drawn	JCL	8/20/03

TIMES MICROWAVE SYSTEMS
 Wallingford, CT 06492
 (203) 949-8400; (203) 949-8423.Fax
 www.timesmicrowave.com

TC-195-SM
SMA Male (Plug)
for LMR-195Cable

Size A	CAGE CODE 68999	Drawing No.: 3190-1553
--------	---------------------------	----------------------------------