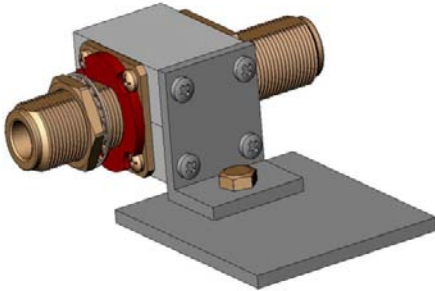


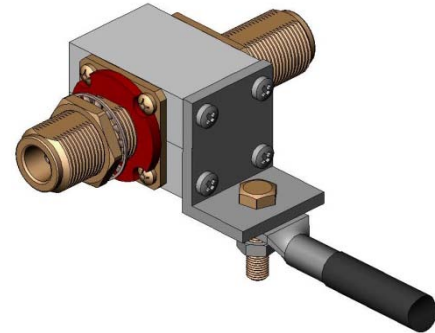
LP-BTR-NFF/NMP/NMS Coaxial Lightning Protector Installation Instructions

Flange Mount to grounded plate



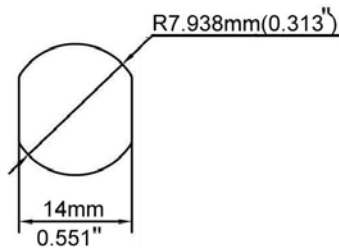
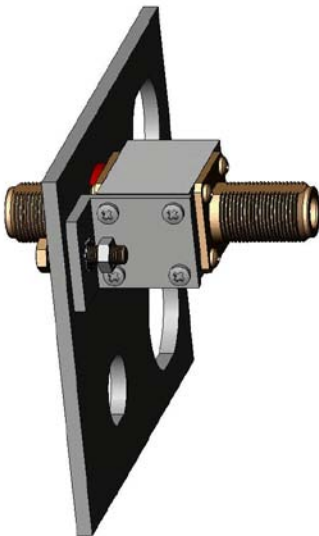
Drill 5.5mm (0.218") hole in ground plate and use supplied M5x20mm bolt, with star-washer under nut to bond protector as shown

Flange Mount to ground lug



Attach grounding conductor lug to flange using supplied M5x20mm bolt with star-washer under nut as shown

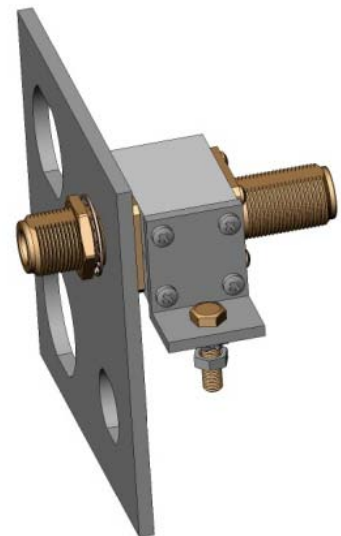
Preferred Bulkhead Mount with flange bonded to plate



Type N Connector "Double D" hole
Recommended panel mounting jamb nut torque
35 - 40 in-lbs (4.0 - 4.5 N-m)
Recommended connector coupling nut torque
6.2 - 9.7 in-lbs (0.7 - 1.1 N-m)

Place *surge side* connector in "double D" hole as shown. Drill 5.5mm (0.218") hole as required for flange. Bond flange to grounded bulkhead plate using M5x20mm bolt with flat washer and weather seal gasket on outside. Use star-washer under nut inside.

Bulkhead Mount with provision for lug



Place *surge side* connector in "double D" hole as shown. Attach optional grounding conductor lug to flange with M5x20mm bolt with star-washer under nut inside.

Installation notes and recommendations

- The LP-BTR-N series is a unidirectional design with “surge” and “protected” sides marked on the device body. Position “surge” side toward anticipated surge source and “protected” side toward protected equipment. Although the protector will pass rf in both directions, only the surge side can reliably conduct multiple high current lightning strikes to ground.
- The LP-BTR-N series is not weather resistant. Protector must be installed indoors. For outdoor installation, a weatherization kit is required.
- To accommodate for bulkhead installation, rotate the protector flange by loosening the 4 (four) captive screws, then re-fasten the flange at the required location
- The protector must be connected to ground through a large, low inductance/impedance conductor with minimum bends. The level of protection with *any* protector is most influenced by the quality of the attached earth ground system.
- The protector should not show continuity from connector center pin to center pin, or from either pin to shield. If there is measured resistance, the protector should be replaced.

Warranty (LP-BTR-N series)

Times Microwave Systems (the seller) warrants to the original purchaser its surge and lightning protection products used in commercial communications applications to be free from defects in material or workmanship which arise from proper and normal use and service for ten (10) years. In the event that the purchaser becomes aware of a defect within this period of time, the seller will, at its options, repair or provide to the purchaser new material in exchange for the defective material. In order to receive any remedy under this warranty, the purchaser must notify Times Microwave Systems of the defect and receive a return authorization.

The entire liability of the seller shall be limited to the repair or provision of new material in exchange for the defective product. Seller shall not be liable for any consequential or incidental damages, cost of removal and re-installation of the product or any other costs incurred by the purchaser as a result of the defect. In no case shall the liability of the seller exceed the sales price of the surge and lightning protection products found to be defective.

The above constitutes the entire warranty provided by Times Microwave Systems. There are no other warranties provided, expressed or implied.

Times Microwave Systems

358 Hall Avenue • Wallingford, CT 06492 • 203-949-8400, (800) 867-2629 Fax: 203-949-8423
International Sales: 4 School Brae, Dysart, Kirkcaldy, Fife, Scotland KY1 2XB UK • Tel: +44 (0) 1592655428
China Sales: No. 318 Yuan Shan Road, Shanghai, China • Tel: 86-21-51761234 Fax: 86-21-64424098