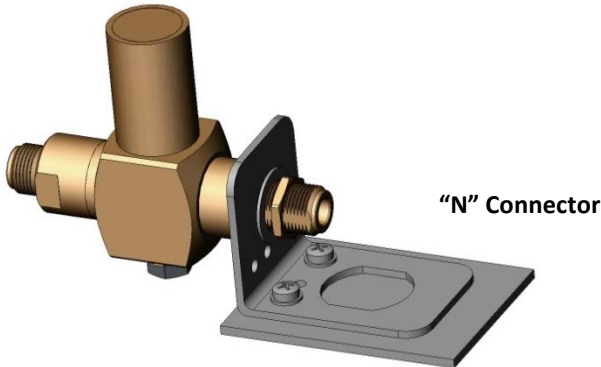


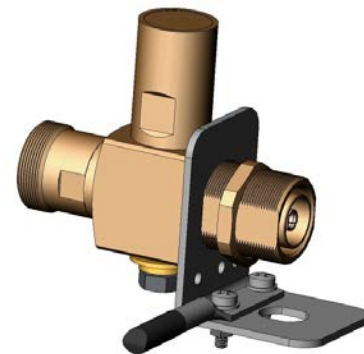
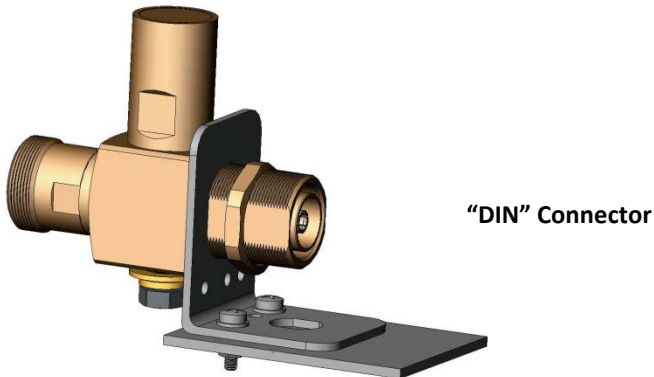
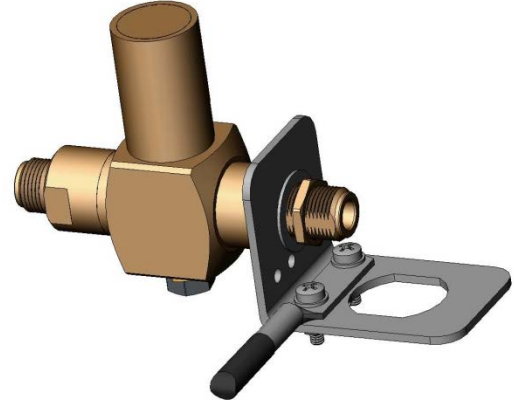
LP-STR Series Coaxial Lightning Protector Installation Instructions

LP-STR-NFF/NMP/NMS and LP-STR-DFE/DMP/DMS

Bracket mount to grounded plate



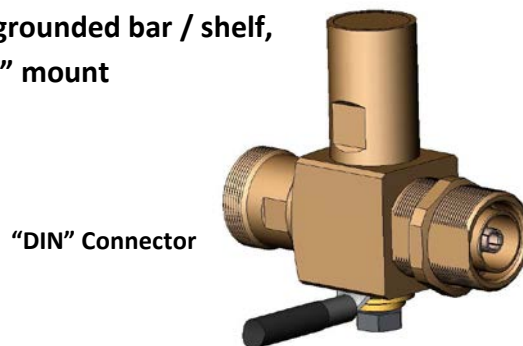
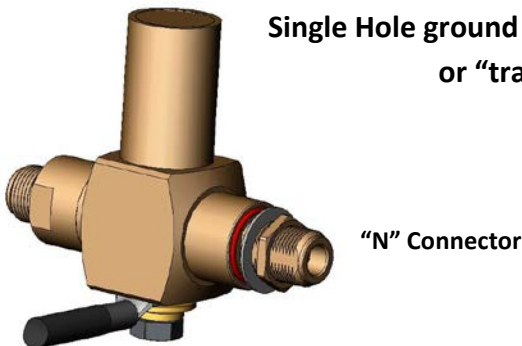
Bracket mount to ground lug



Drill (2) 4.8mm (0.1875") holes in ground plate using the bracket as template. Attach bracket to ground plate with (2) M4x15mm bolts, flat-washers under bolt heads, and star-washers under nuts (supplied). Insert protector elongated connector in "double D" hole as shown.

Attach ground lug (1 or 2 holes) to bracket with (2) M4x15mm bolts, flat-washers under bolt heads, and star-washers under nuts (supplied). Insert protector elongated connector in "double D" hole as shown.

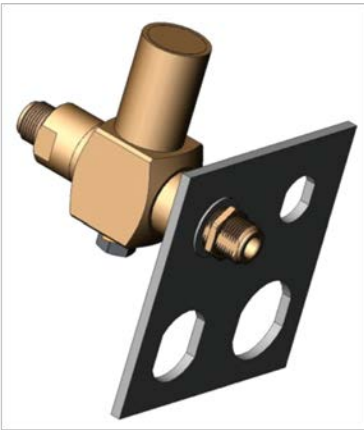
Single Hole ground lug, grounded bar / shelf, or "trapeze" mount



Remove attached M8x10mm screw and hardware from bottom of protector. Use one of 3 grounding methods.

- (1) Attach single hole ground conductor lug as shown using provided hardware.
- (2) Bond the protector to ground bar or shelf through a 9.525mm (0.375") hole using provided hardware.
- (3) Bond to grounded "trapeze" bar through a 9.525mm (0.375") hole using provided hardware.

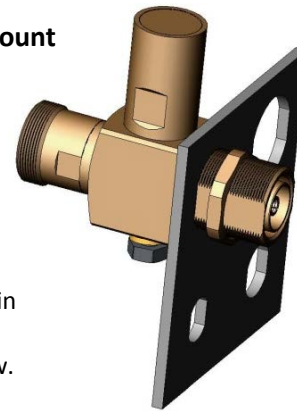
Tighten bolt to 44 in-lbs (5N-m) maximum torque. *Note: Ground plane thickness must not be greater than 3.175mm (0.125") for use with provided hardware. Use longer screw if required.*



Preferred grounded bulkhead mount

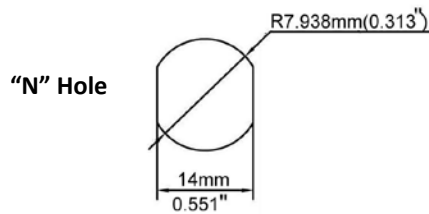
"N" Connector

"DIN" Connector

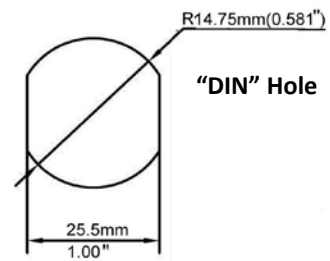
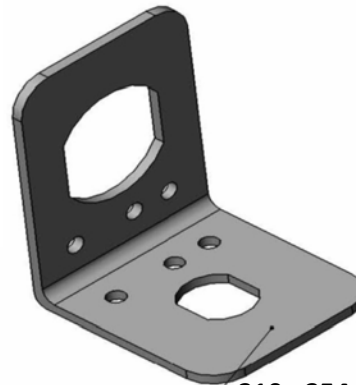


Insert protector elongated connector in "double D" hole as shown. Apply torque specifications from table below.

Optional Right Angle Bracket Adapter



Panel mounting jamb nut torque
35 - 40 in-lbs (4.0 - 4.5 N-m)
 Recommended connector coupling nut torque
6.2 - 9.7 in-lbs (0.7 - 1.1 N-m)



Panel mounting jamb nut torque
310 - 354 in-lbs (25.8 - 29.5 ft-lbs) 35 - 40 N-m
 Recommended connector coupling nut torque
221 - 265 in-lbs (18.4 to 22.1 ft-lbs) 25-30 N-m

Installation notes and recommendations

- The LP-STR series is a unidirectional design with "surge" and "protected" sides marked on the device body. Position "surge" side toward anticipated surge source and "protected" side toward protected equipment. Although the protector will pass rf in both directions, only the surge side can reliably conduct multiple high current lightning strikes to ground.
- The LP-STR body is weather resistant to IP67 Standards
- The protector must be connected to ground through a large, low inductance/impedance conductor with minimum bends. The level of protection with *any* protector is most influenced by the quality of the attached earth ground system.
- The protector should show no continuity from connector center pin to center pin, and no continuity from center pin protected side to shield. There will be continuity from center pin surge side to the shield.

Warranty (LP- STR series)

Times Microwave Systems (the seller) warranties to the original purchaser its surge and lightning protection products used in commercial communications applications to be free from defects in material or workmanship which arise from proper and normal use and service for ten (10) years. In the event that the purchaser becomes aware of a defect within this period of time, the seller will, at its options, repair or provide to the purchaser new material in exchange for the defective material. In order to receive any remedy under this warranty, the purchaser must notify Times Microwave Systems of the defect and receive a return authorization. The entire liability of the seller shall be limited to the repair or provision of new material in exchange for the defective product. Seller shall not be liable for any consequential or incidental damages, cost of removal and re-installation of the product or any other costs incurred by the purchaser as a result of the defect. In no case shall the liability of the seller exceed the sales price of the surge and lightning protection products found to be defective. The above constitutes the entire warranty provided by Times Microwave Systems. There are no other warranties provided, expressed or implied.