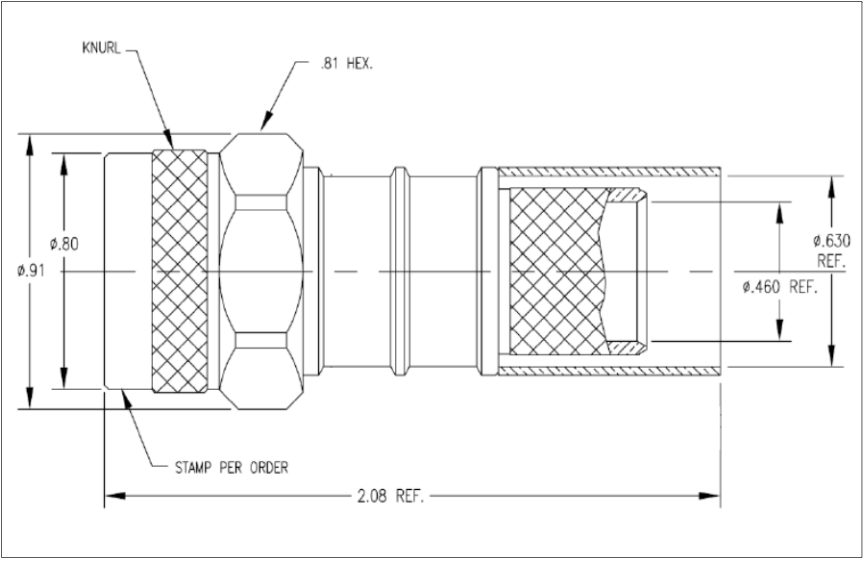
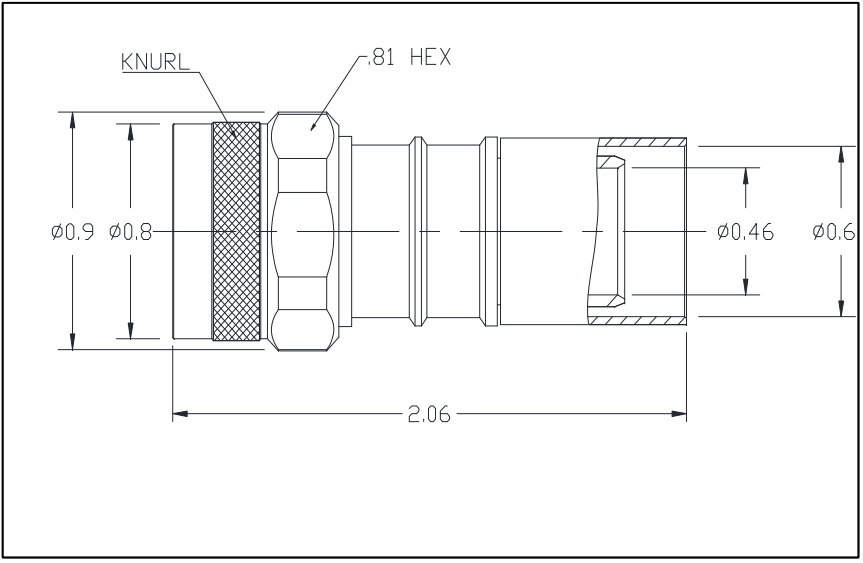
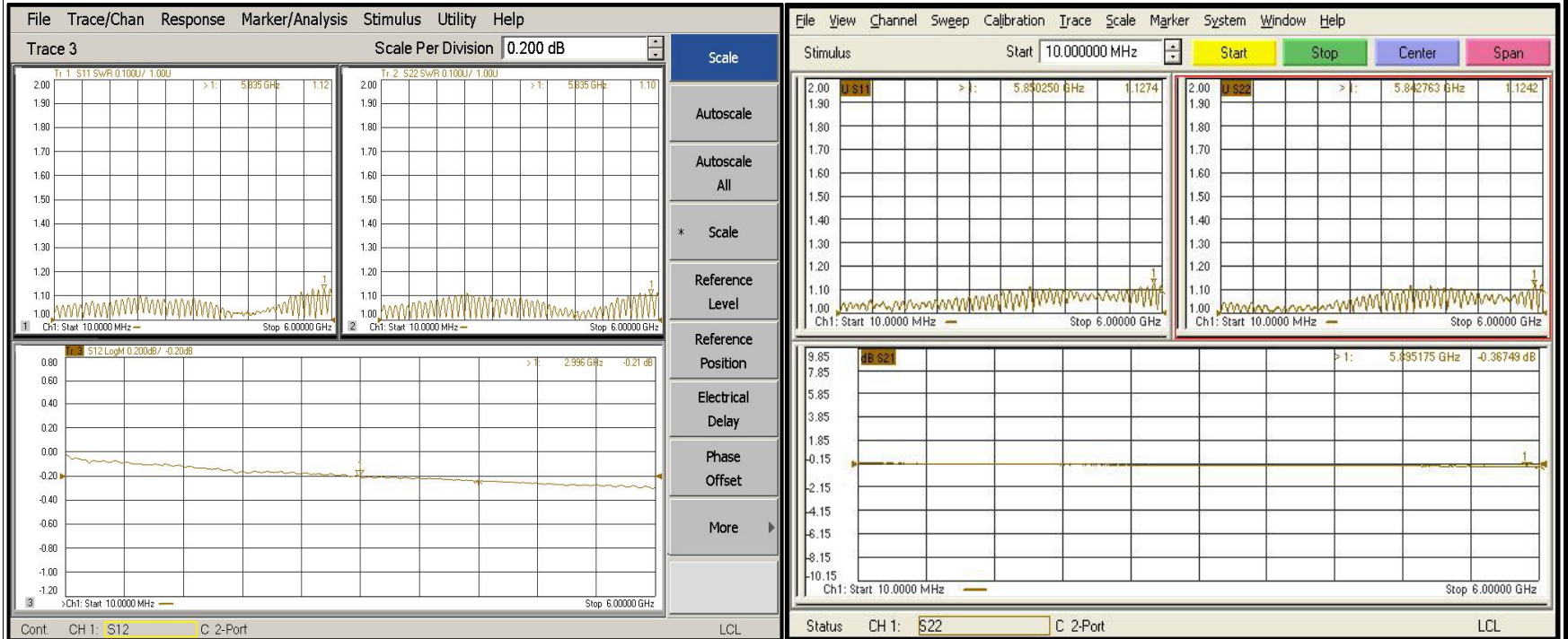


Connector Comparison Sheet

| | Old Connector 3190-208 TC-600-NMH-D | New Connector 3190-2628 TC-600-NMH-X | | | | | | | | | | | | | | | | | | | | | | | | | | | | | | | | | | | | | | | | |
|---------------------------------|---|--|------------------|----------------|------------------|---------|-------|---------|--|-------------------|------------------|------|--|-----------------|-------|---------|--|------------|--------|---------|--|---|--|-----------------|----------------|------------------|---------|-------|---------|------------|-------------------|-------|------|---------------|-----------------|-------|---------|------------|------------|--------|---------|------------|
| 1. Materials&Plating | <table border="1"> <thead> <tr> <th></th> <th><u>Material</u></th> <th><u>Plating</u></th> <th><u>Thickness</u></th> </tr> </thead> <tbody> <tr> <td>1) Body</td> <td>Brass</td> <td>Albaloy</td> <td></td> </tr> <tr> <td>2) Center Contact</td> <td>Beryllium Copper</td> <td>Gold</td> <td></td> </tr> <tr> <td>3) Coupling nut</td> <td>Brass</td> <td>Albaloy</td> <td></td> </tr> <tr> <td>4) Ferruel</td> <td>Copper</td> <td>Albaloy</td> <td></td> </tr> </tbody> </table> | | <u>Material</u> | <u>Plating</u> | <u>Thickness</u> | 1) Body | Brass | Albaloy | | 2) Center Contact | Beryllium Copper | Gold | | 3) Coupling nut | Brass | Albaloy | | 4) Ferruel | Copper | Albaloy | | <table border="1"> <thead> <tr> <th></th> <th><u>Material</u></th> <th><u>Plating</u></th> <th><u>Thickness</u></th> </tr> </thead> <tbody> <tr> <td>1) Body</td> <td>Brass</td> <td>Albaloy</td> <td>>79μ"(2μm)</td> </tr> <tr> <td>2) Center Contact</td> <td>Brass</td> <td>Gold</td> <td>>50μ"(1.27μm)</td> </tr> <tr> <td>3) Coupling nut</td> <td>Brass</td> <td>Albaloy</td> <td>>79μ"(2μm)</td> </tr> <tr> <td>4) Ferruel</td> <td>Copper</td> <td>Albaloy</td> <td>>79μ"(2μm)</td> </tr> </tbody> </table> | | <u>Material</u> | <u>Plating</u> | <u>Thickness</u> | 1) Body | Brass | Albaloy | >79μ"(2μm) | 2) Center Contact | Brass | Gold | >50μ"(1.27μm) | 3) Coupling nut | Brass | Albaloy | >79μ"(2μm) | 4) Ferruel | Copper | Albaloy | >79μ"(2μm) |
| | <u>Material</u> | <u>Plating</u> | <u>Thickness</u> | | | | | | | | | | | | | | | | | | | | | | | | | | | | | | | | | | | | | | | |
| 1) Body | Brass | Albaloy | | | | | | | | | | | | | | | | | | | | | | | | | | | | | | | | | | | | | | | | |
| 2) Center Contact | Beryllium Copper | Gold | | | | | | | | | | | | | | | | | | | | | | | | | | | | | | | | | | | | | | | | |
| 3) Coupling nut | Brass | Albaloy | | | | | | | | | | | | | | | | | | | | | | | | | | | | | | | | | | | | | | | | |
| 4) Ferruel | Copper | Albaloy | | | | | | | | | | | | | | | | | | | | | | | | | | | | | | | | | | | | | | | | |
| | <u>Material</u> | <u>Plating</u> | <u>Thickness</u> | | | | | | | | | | | | | | | | | | | | | | | | | | | | | | | | | | | | | | | |
| 1) Body | Brass | Albaloy | >79μ"(2μm) | | | | | | | | | | | | | | | | | | | | | | | | | | | | | | | | | | | | | | | |
| 2) Center Contact | Brass | Gold | >50μ"(1.27μm) | | | | | | | | | | | | | | | | | | | | | | | | | | | | | | | | | | | | | | | |
| 3) Coupling nut | Brass | Albaloy | >79μ"(2μm) | | | | | | | | | | | | | | | | | | | | | | | | | | | | | | | | | | | | | | | |
| 4) Ferruel | Copper | Albaloy | >79μ"(2μm) | | | | | | | | | | | | | | | | | | | | | | | | | | | | | | | | | | | | | | | |
| 2. Dimension&Outline |  |  | | | | | | | | | | | | | | | | | | | | | | | | | | | | | | | | | | | | | | | | |
| 3. Installation | Need Braid Trim | No Braid Trim | | | | | | | | | | | | | | | | | | | | | | | | | | | | | | | | | | | | | | | | |

4. Test Curve



* The test curve is based on the assembly 1m cable with 2 connectors on each end.