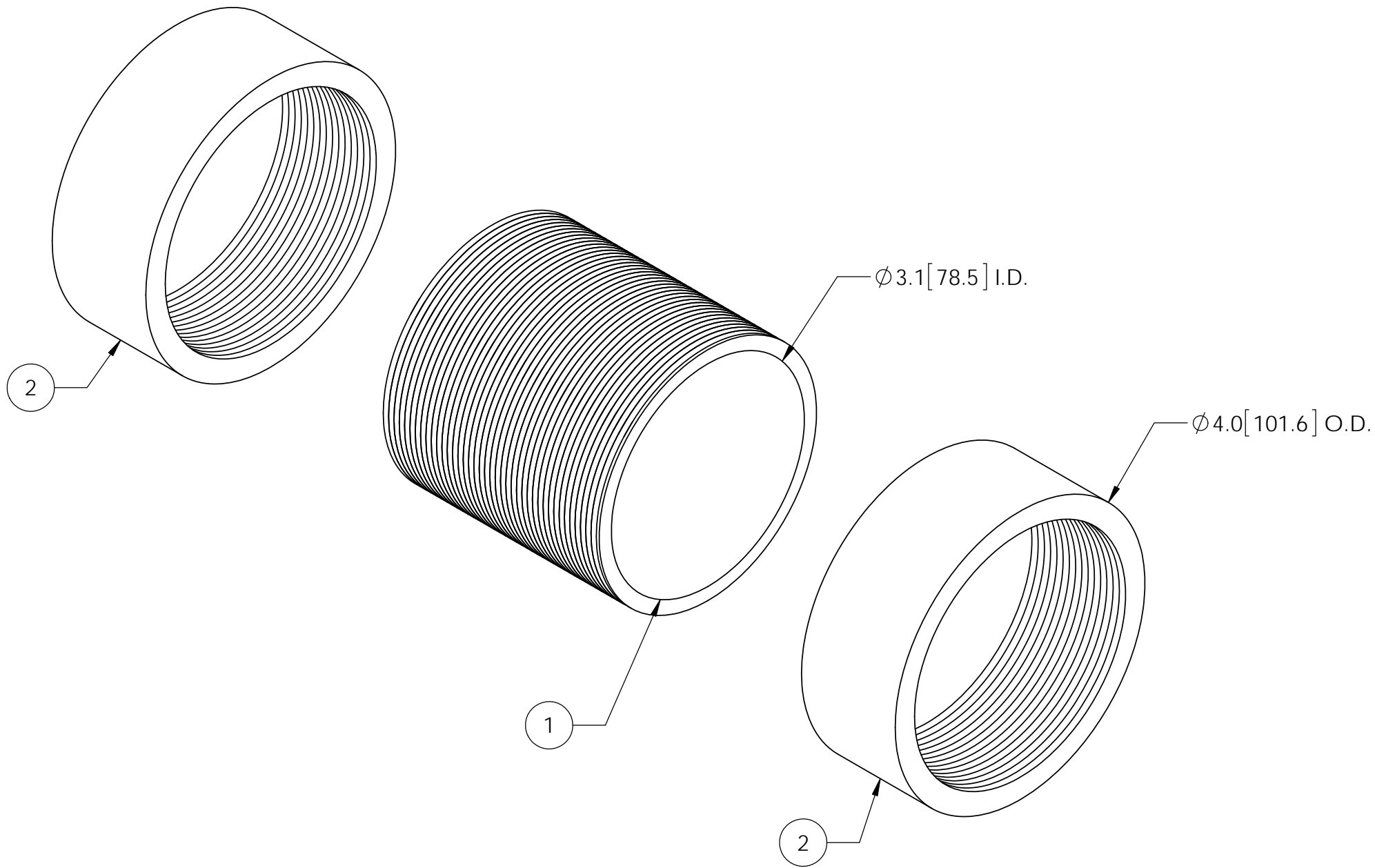


ITEM	PART NO.	DESCRIPTION	QTY.	WEIGHT
1	MT104.01	Ø 4" X 3-1/2"L ENTRY PORT TUBE	1	0.28 LBS
2	MT101.03	Ø 4" DIA. X 1.5"L COUPLING NUT	2	0.45 LBS

REVISIONS					
REV.	ECN	ZONE	DESCRIPTION	BY	DATE
C			INITIAL RELEASE	ACG	11/10/15



NOTES:
 1. ALL METRIC DIMENSIONS ARE IN BRACKETS.
 2. DRILL Ø 3-1/2" HOLE INTO PANEL FOR INSTALLATION.


These drawings and specifications are the proprietary property of TIMES Microwave Systems and may be used only for the specific purpose authorized in writing by TIMES Microwave Systems.

ALL DIMENSIONS ARE IN INCHES U.O.S.
 TOLERANCES UNLESS OTHERWISE SPECIFIED:
 .X = ± .06 ANGLES ± 2°
 .XX = ± .03 FRACTIONS ± 1/32
 .XXX = ± .010

REMOVE BURRS AND BREAK EDGES .005

DO NOT SCALE THIS PRINT

DRAWN BY:	ACG	SHEET:	1 of 1
CHECKED BY:	CC	SCALE:	NTS
DATE:	11/10/15	MATERIAL:	PVC & ALUMINUM
REVISION:	C	FINISH:	NONE
		WEIGHT:	1.17 LBS

PART NUMBER:	LP-FT-RHA
DESCRIPTION:	PANEL MOUNT ENTRY TUBE KIT
DRAWING TYPE:	ASSEMBLY DRAWING
 358 Hall Avenue Wallingford, CT 06492	