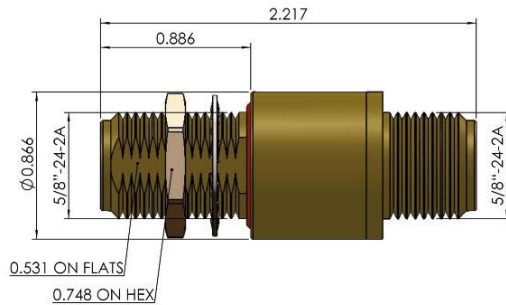
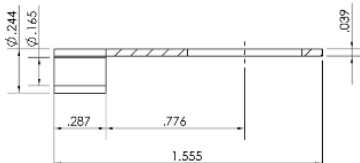
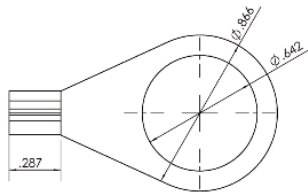
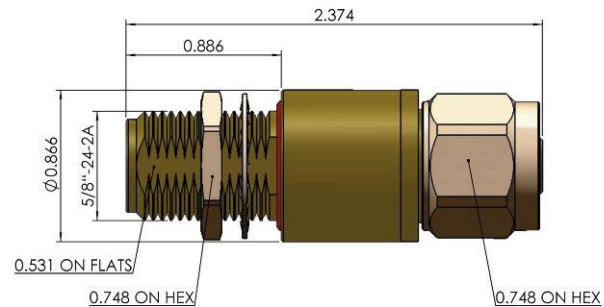


LP-GTV-N Series Coaxial Lightning Protector Installation Instructions

LP-GTV-NFF



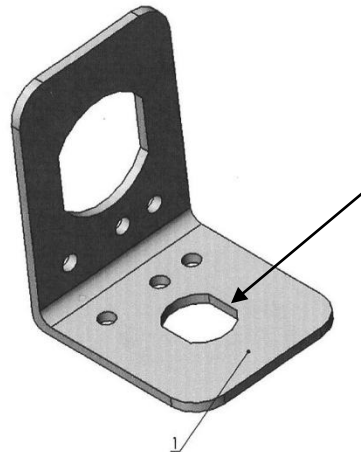
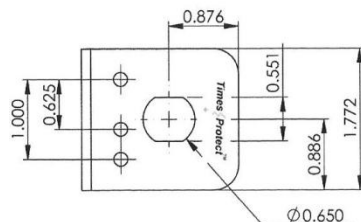
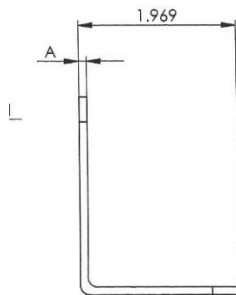
LP-GTV-NFM



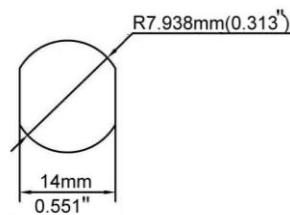
The LP-GTV-N is supplied with a grounding ring for a low inductance / impedance conductor, with minimum bends, bonded to a known ground.

A better connection to ground can be made by mounting the protector in a grounded entry bulkhead plate using the elongated female connector.

Another grounding option is the Universal Right Angle Bracket Adapter (LP-BFDN-CW) bonded to a known grounded surface.



Double D "N" Hole



Caution: Panel mounting jamb nut torque
35 - 40 in-lbs (4.0 - 4.5 N-m)

Connector coupling nut torque
N Type 7 - 10 in-lbs (0.8 - 1.1 N-m)

Drill (2) 4.8mm (0.1874") holes in grounded plate using the bracket (1) as template. Attach bracket to ground plate with (2) M4x15mm, flat-washers under bolt heads, and star-washers under nuts (hardware supplied with bracket). Insert protector in "double D" N type connector hole. Note: Copper with white bronze plating (LP-BFDN-CW) brackets are available as an option.

Installation Notes and Recommendations

- The LP- GTV-N series is a bi-directional design. Either connector can accept a surge and reliably conduct multiple high current lightning strikes to ground.
- The LP-GTV-N series is weatherized to IEC 60068 40/085/21 & IP67 Standards
- The protector must be connected to ground through a large, low inductance/impedance conductor with minimum bends. The level of protection with *any* protector is most influenced by the quality of the attached earth ground system.
- The protector should show continuity from connector center pin to center pin, but no continuity from either pin to shield. If there is measured resistance, the protector should be replaced.

Warranty (LP- GTV-N series)

Times Microwave Systems (the seller) warrants to the original purchaser its surge and lightning protection products used in commercial communications applications to be free from defects in material or workmanship which arise from proper and normal use and service for one (1) year. In the event that the purchaser becomes aware of a defect within this period of time, the seller will, at its options, repair or provide to the purchaser new material in exchange for the defective material. In order to receive any remedy under this warranty, the purchaser must notify Times Microwave Systems of the defect and receive a return authorization. The entire liability of the seller shall be limited to the repair or provision of new material in exchange for the defective product. Seller shall not be liable for any consequential or incidental damages, cost of removal and re-installation of the product or any other costs incurred by the purchaser as a result of the defect. In no case shall the liability of the seller exceed the sales price of the surge and lightning protection products found to be defective.

The above constitutes the entire warranty provided by Times Microwave Systems. There are no other warranties provided, expressed or implied.



358 Hall Avenue • Wallingford, CT 06492 • 203-949-8400, (800) 867-2629 Fax: 203-949-8423
International Sales: 4 School Brae, Dysart, Kirkcaldy, Fife, Scotland KY1 2XB UK • Tel: +44 (0) 1592655428
China Sales: No. 318 Yuan Shan Road, Shanghai, China • Tel: 86-21-51761234 Fax: 86-21-64424098